



SUZUKI
MARINE

Parts Book

DT4 85~87

When it becomes necessary to replace parts on SUZUKI OUTBOARD MOTORS, always use SUZUKI GENUINE PARTS which have passed a strict inspection which guarantees quality and performance.

This parts catalogue covers the list of all service parts for SUZUKI DT4 VF/VG/VH.

INSTRUCTIONS FOR QUOTING THE CATALOGUE

1. DIMENSIONS

Dimensions of the parts in this catalogue are indicated in unit millimeters.

2. ABBREVIATIONS

Abbreviations used in this catalogue are as follows:

- AR : As required
- ASSY : Assembly
- E.No. : Engine number
- F.No. : Frame number
- d : Diameter of material
- ID : Inside diameter
- OD : Outside diameter
- L : Length
- LH : Left hand side
- RH : Right hand side
- 123456 : Up to F.No.00402-123456
- 123456- : From F.No.00402-123456
- NT : Number of teeth
- DPT : Optional
- OS : Over size
- STD : Standard
- T : Thickness
- US : Under size
- W : Width
- S,L,UL,LL : Transom type

12 x 34 x 5.6Figures in the description column show the dimensions of parts.

ID	OD	T(or W,L)

3. INNER PARTS OF ASSEMBLY

Parts number that have a period (.) mark in front of the part description on a text page are separately serviced parts of the assembly.

4. MODIFICATION NOTICE

A parts bulletin will be sent to you on all occasions when changes in parts occur, including interchangeable modifications between new parts and old ones.

5. NOTE

- 5-1. There are some different parts from those of production models among spare parts for the administrative reasons and common use of them with other models.
- 5-2. In respect of rubber hoses and vinyl tubes, please be sure to use them by cutting off according to the length mentioned on parts catalogue or what is actually required on the vehicle.
- 5-3. Note that the drawings on the illustration page are for ready reference of spare parts number, not to be used as an assembly manual. When assembling, use "SUZUKI SERVICE MANUAL".

6. ON ISSUE TO NEW SPARE PARTS CATALOGUE

This parts catalogue was arranged to include modifications as of Jun., 1985. Once each year new parts catalogue will be issued, containing, of course, all prior modifications. Upon receipt of each new issue the old catalogue should be destroyed.

7. ENGINE NUMBER

- DT4 VF : 00402-501001-510778
- DT4 VG : 00402-610779-
- DT4 VH : 00402-718001-

8. COLOR

Color No.	Color description
02M	Arctic Silver
01T	Francois White-2

FIG. 1

FIG. 1 (8- 2) CYLINDER

Q'TY

REMARKS

REF.NO.	PART NO.	DESCRIPTION	Q'TY	REMARKS
1	09103-06098	BOLT	5	
2-1	11161-98602-02M	COVER, cylinder head	1	-504818
2-2	11161-98603-02M	COVER, cylinder head	1	504819-
3-1	11162-98600	GASKET, cylinder head cover	1	-504972
3-2	11162-98601	GASKET, cylinder head cover	1	504973-
4-1	11301-98601-02M	CYLINDER ASSY	1	-510778
4-2	11301-98620-02M	CYLINDER ASSY	1	610779-
5	04211-09109	.DOWEL PIN	2	
6	01107-06352	.BOLT	4	
7	01107-06302	.BOLT	2	
8	08321-21062	.LOCK WASHER	6	
9	11251-98600-02M	COVER, port, R	1	
10	11252-98600-02M	COVER, port, L	1	
11	09103-06056	BOLT	4	
12	09280-32006	O RING	2	
13	11218-98601	COVER, water jacket	1	
14	09126-05003	SCREW	2	
15	11219-98600	GASKET, water jacket	1	
16	13152-98300	STOPPER, reed valve	1	
17	13153-98600	REED, valve	1	
18	13154-98600	SCREW	2	
19	61181-98600	COVER, lower drain hole	1	
20	09343-02020	HOSE, lubrication	1	
21	09401-06405	CLIP	2	
22-1	11406-98880	GASKET SET	1	OPT,-504972
22-2	11400-98881	GASKET SET	1	OPT,504973-

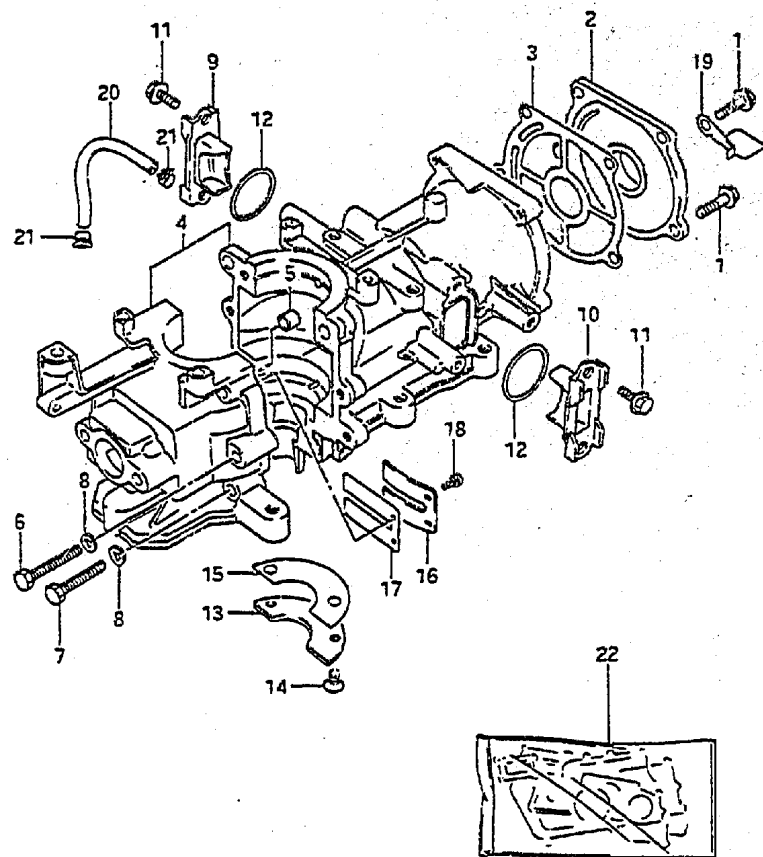
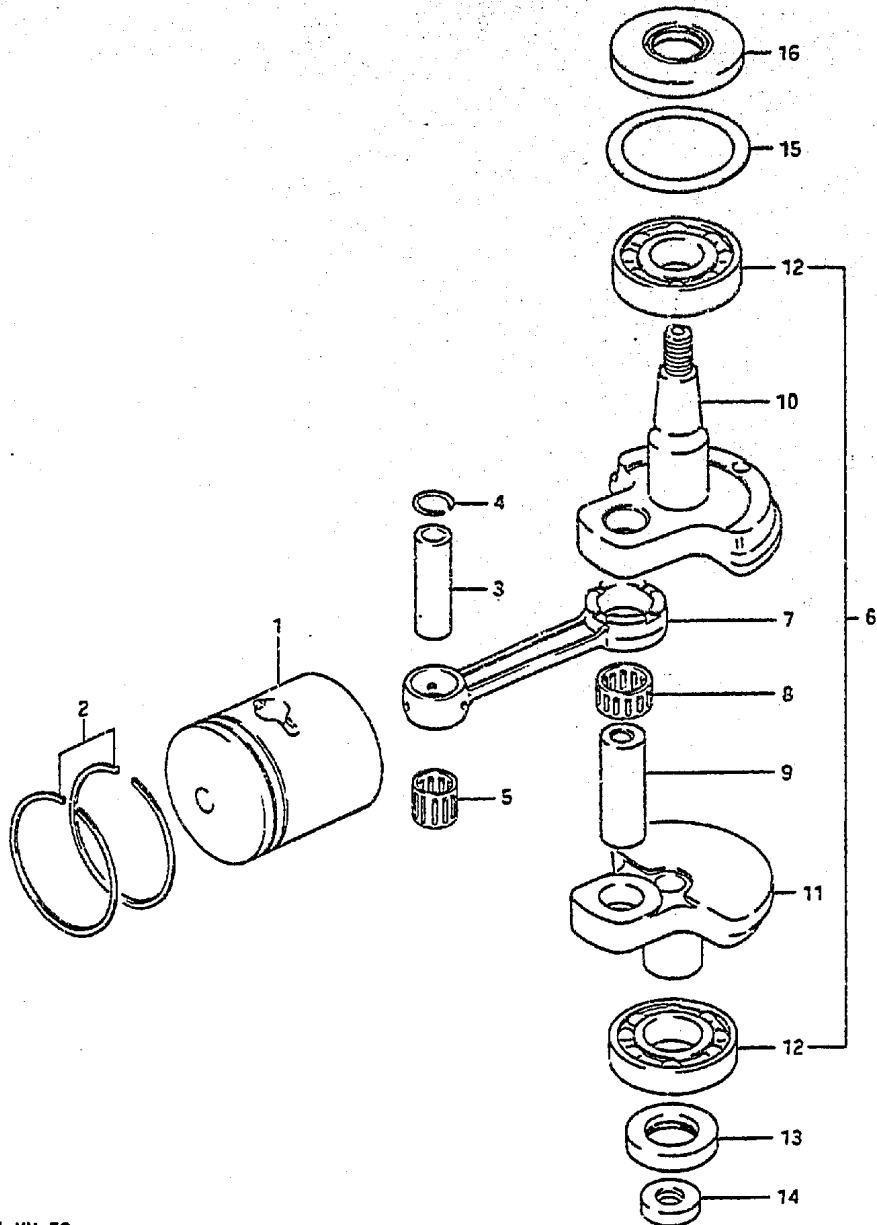


FIG.2

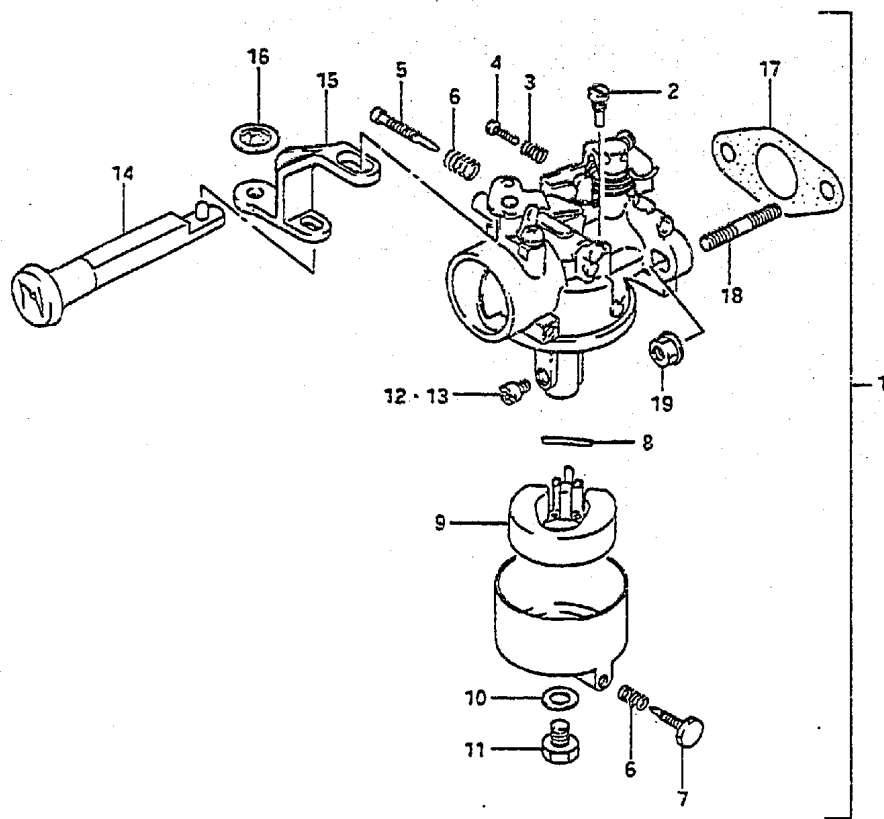
FIG.2 (B-3) CRANKSHAFT



REF.NO.	PART NO.	DESCRIPTION	Q'TY	REMARKS
1-1	12110-98601	PISTON	1	
1-2	12110-98601-025	PISTON (OS:0.25)	1	OPT
1-3	12110-98601-050	PISTON (OS:0.50)	1	OPT
2-1	12140-99603	RING SET, piston	1	
2-2	12140-28630-025	RING SET, piston (OS:0.25)	1	OPT
2-3	12140-28630-050	RING SET, piston (OS:0.50)	1	GPT
3	12151-25000	PIN, piston	1	
4	09381-12001	CIRCLIP, piston pin	2	
5	09263-12023	BEARING, piston pin	1	
6-1	12200-98601	CRANKSHAFT ASSY	1	~501203
6-2	12200-98602	CRANKSHAFT ASSY	1	501204~504972
6-3	12200-98603	CRANKSHAFT ASSY	1	504973~
7-1	12161-98601	.ROD, connecting	1	~504972
7-2	12161-98602	.ROD, connecting	1	504973~
8	09263-17010	.BEARING, crank pin	1	
9	12211-96001	.PIN, crank	1	
10	12221-98600	.CRANKSHAFT, upper	1	
11-1	12240-98600	.CRANKSHAFT, under	1	~501203
11-2	12240-98601	.CRANKSHAFT, under	1	501204~
12	08113-62040	.BEARING	2	
13	09283-20018	OIL SEAL (20x37x9)	1	
14	09282-10010	OIL SEAL, drive shaft upper	1	
15	09160-38001	THRUST WASHER (38x51x1)	1	
16	09283-20045	OIL SEAL	1	

FIG. 3

FIG. 3 (B- 4) CARBURETOR



REF. NO.	PART NO.	DESCRIPTION	Q'TY	REMARKS
1	13200-98620	CARBURETOR ASSY	1	
2	09492-45008	.JET, pilot (45)	1	
3	13268-92910	.SPRING	1	
4	13267-98620	.SCREW, throttle stop	1	
5	13269-98300	.SCREW, pilot air	1	
6	13268-96110	.SPRING	2	
7	13616-93900	.ADJUSTER	1	
8	13254-98300	.PIN	1	
9	13250-98310	.FLOAT	1	
10	13343-98520	.GASKET	1	
11	13613-98300	.BOLT	1	
12	09491-97002	.JET, main (97.5)	1	
13-1	09491-20011	JET, main (102.5)	1	OPT
13-2	09491-92003	JET, main (92.5)	1	OPT
13-3	09491-87002	JET, main (87.5)	1	GPT
14	13631-98600	KNOS, starter	1	
15	13633-98601	LEVER, choke	1	
16	09148-06008	NUT	1	
17	13125-98300	GASKET, carburetor	1	
18	01421-06202	STUD BOLT	2	
19	08316-16062	NUT	2	

FIG.4

FIG.4 (B- 5) FUEL PUMP

Q'TY

REMARKS

REF.NO.	PART NO.	DESCRIPTION	Q'TY	REMARKS
1	15100-98600	PUMP ASSY, fuel	1	
2	15140-98100	.GASKET	1	
3	15171-98100	.DIAPHRAGM, fuel pump	1	
4	15153-98100	.MEMBRANE, fuel pump	1	
5	15251-98101	.SCREW	4	
6	09343-05322	HOSE, fuel cock - pump (L:60)	1	
7	09343-05329	HOSE, fuel tank - cock (L:27)	1	
8	09343-05137	HOSE, fuel pump - carbu(L:150)	1	
9	09401-09402	CLIP, fuel hose	4	
10	66100-98600	COCK ASSY, fuel	1	
11	66171-98301	.CUP, filter	1	
12	66152-98300	.NET, filter	1	
13	66273-98300	.GASKET, filter	1	
14	02112-04122	SCREW	2	
15	08322-21042	WASHER	2	
16	09103-06098	BOLT	2	
17	09343-05282	HOSE, vacuum (L:11)	1	
18	09401-10409	CLIP	3	

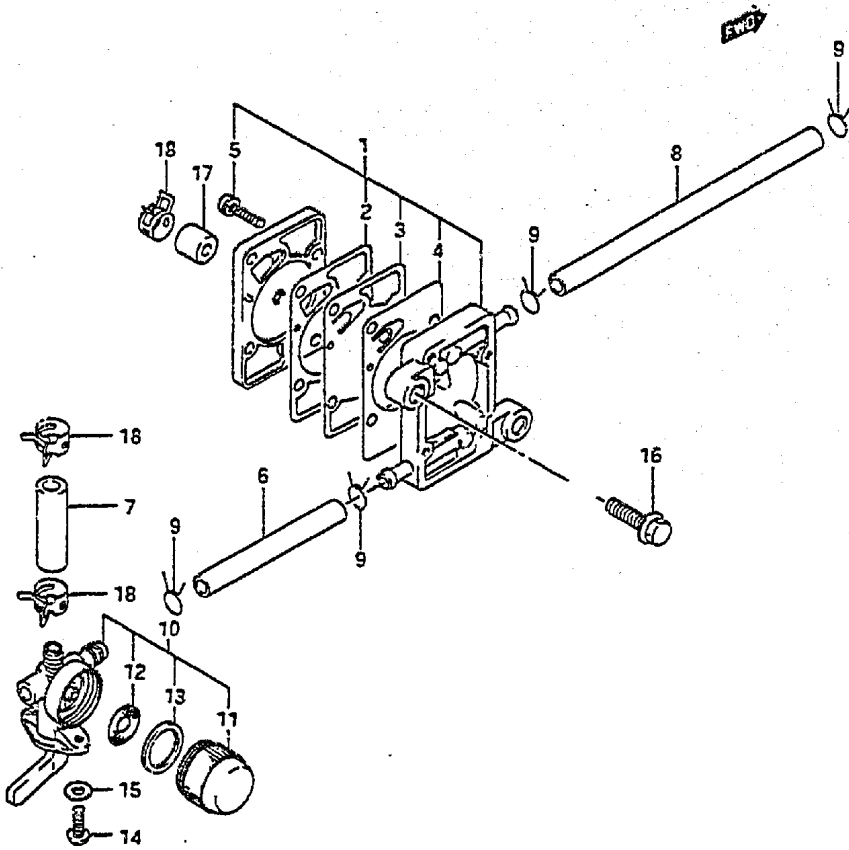


FIG.5

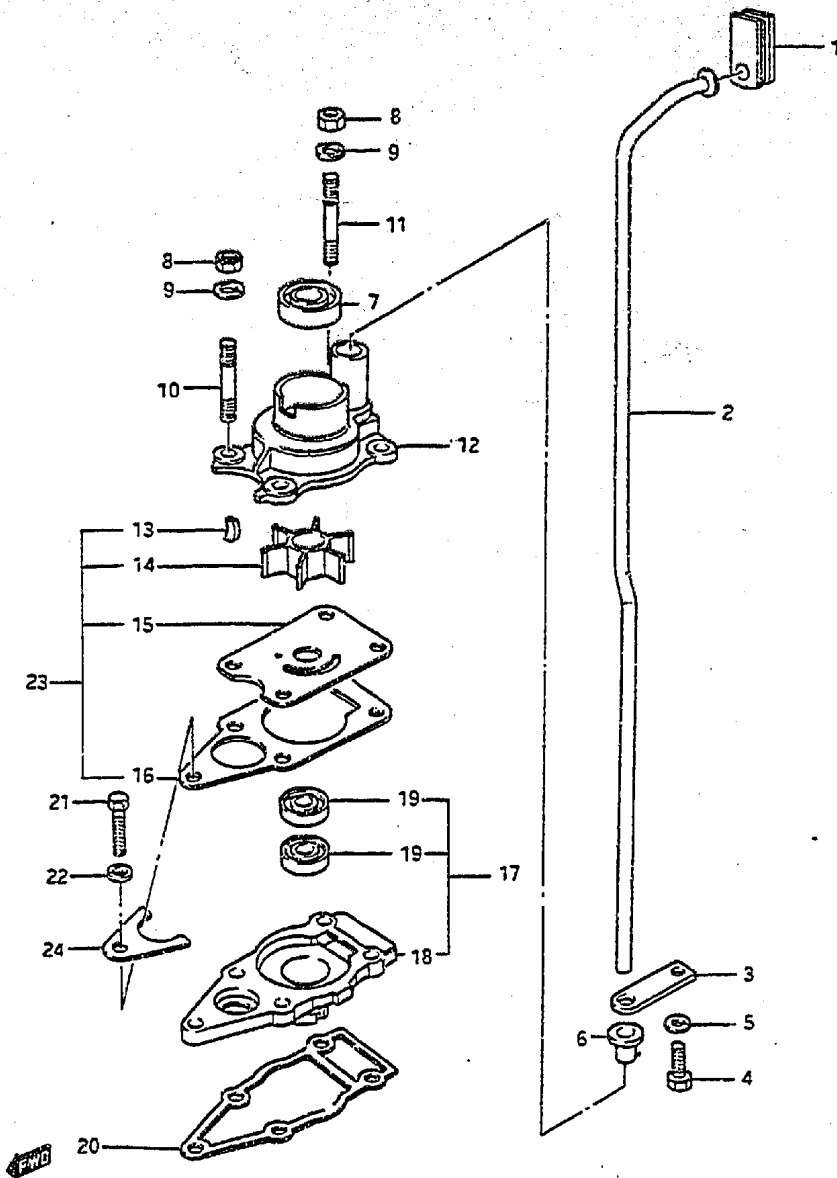


FIG.5 (B- 6) WATER PUMP

REF.NO.	PART NO.	DESCRIPTION	Q'TY	REMARKS
1	17563-98500	GROMMET, water tube	1	
2-1	17561-98611	TUBE, water (S)	1	
2-2	17561-98601	TUBE, water (L)	1	
3	17564-98600	GUIDE, water tube	1	
4	09100-06113	BOLT	1	
5	09162-06006	LOCK WASHER	1	
6	17415-98501	GROMMET, water pump	1	
7	09289-10002	OIL SEAL, pump case	1	10x22x8
8	09140-06004	NUT	4	
9	09162-06001	LOCK WASHER	4	
10	09108-06068	STUD BOLT (L:35)	3	
11	09108-06069	STUD BOLT (L:40)	1	
12	17411-98600	CASE, water pump	1	
13	09420-03002	KEY	1	
14	17461-98501	IMPELLER, water pump	1	
15	17471-98600	PANEL, water pump	1	
16	17472-98600	GASKET	1	
17	56130-98600-02M	HOUSING, drive shaft bearing	1	
18	56134-98600	.HOUSING SUB, drive shaft	1	
19	09282-10008	.SEAL	2	
20	56132-98601	GASKET, drive shaft housing	1	
21	09100-06120	BOLT	1	
22	09162-06001	LOCK WASHER	1	
23	17400-98650	KIT, water pump repair	1	GPT
24	25215-98600	STOPPER, shift rod guide	1	

FIG.6

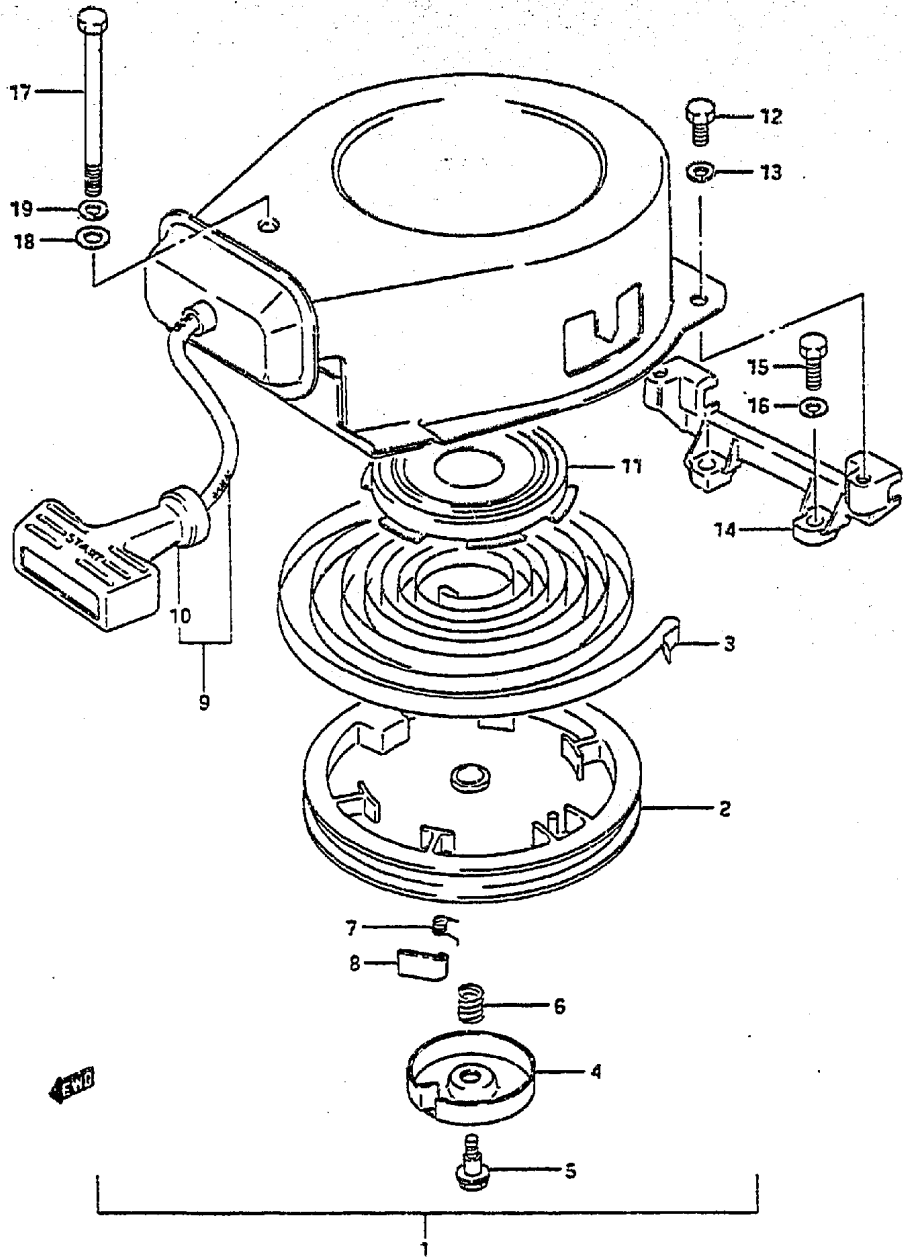


FIG.6 (B-7) RECOIL STARTER

Q'TY

REF.NO.	PART NO.	DESCRIPTION	Q'TY	REMARKS
1	18100-98600	STARTER ASSY, recoil	1	
2	18121-90600	.REEL, starter	1	
3	18142-98600	.SPRING, recoil	1	
4	18131-90010	.RATGET	1	
5	18153-90010	.BOLT	1	
6	18152-90600	.SPRING	1	
7	18132-90010	.SPRING	1	
8	18151-90600	.PLATE, friction	1	
9	18200-98600	.GRIP ASSY, starter	1	
10	18211-98600	..GRIP	1	
11	18143-90600	.CASE, spring	1	
12	01107-06162	BOLT	2	
13	08321-21062	LOCK WASHER	2	
14	18711-98600-02M	BRACE, recoil starter	1	
15	01107-06202	BOLT	2	
16	08321-21062	LOCK WASHER	2	
17	01107-06752	BOLT	1	
18	08322-21062	WASHER	1	
19	08321-21062	LOCK WASHER	1	

FIG. 7

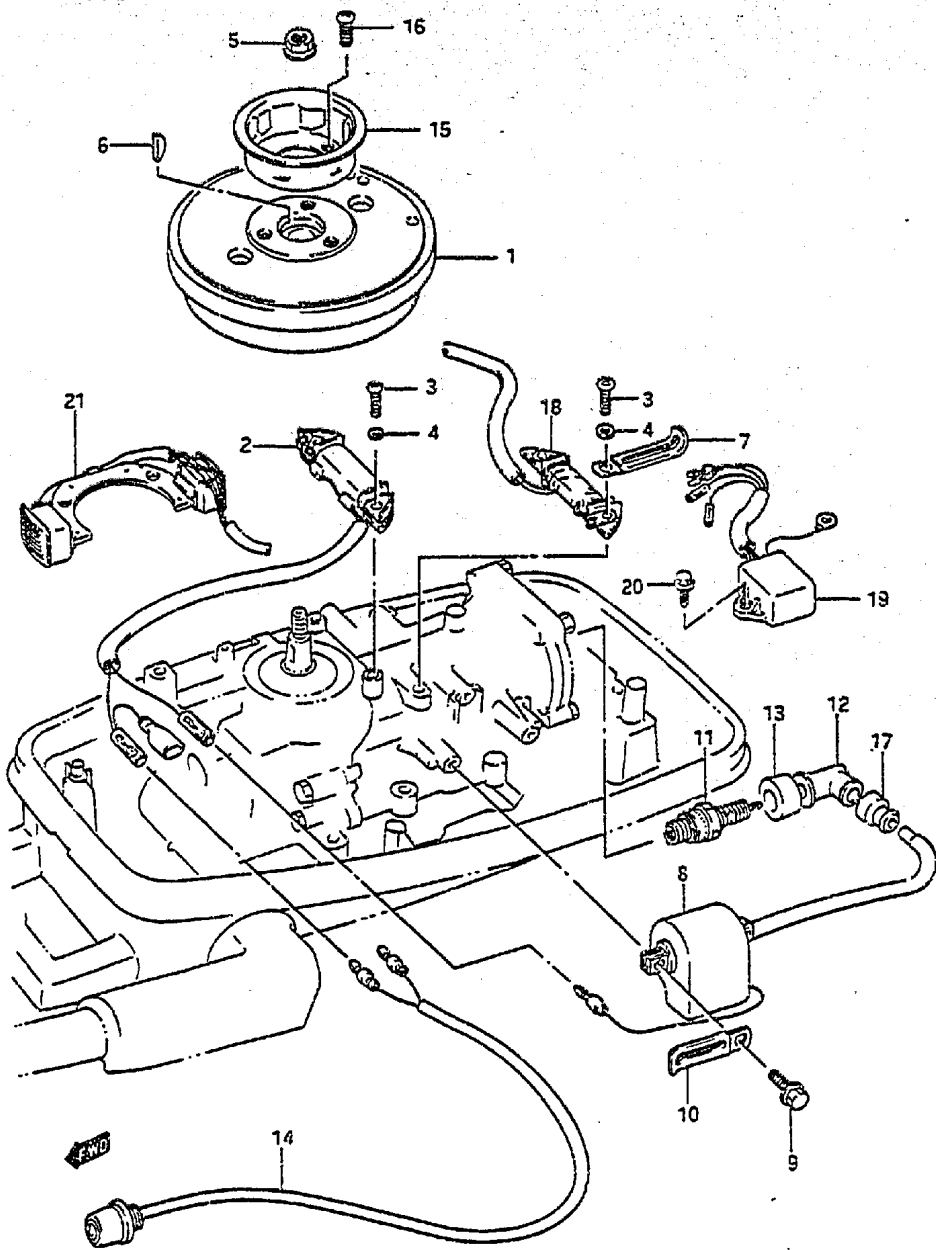


FIG. 7 (B- 8) ELECTRICAL

REF.NO.	PART NO.	DESCRIPTION	Q'TY	REMARKS
1	32102-98610	FLYWHEEL	1	
2	32140-98600	COIL, ignition, B	1	
3	02112-05257	SCREW	4	
4	08321-21057	LOCK WASHER	4	
5	08316-26102	NUT	1	
6	08341-31039	KEY	1	
7	09404-06202	CLAMP	1	
8	33410-98610	UNIT & COIL ASSY, ignition	1	
9	09103-06048	BOLT	2	
10	09404-06205	CLAMP	1	
11-1	09482-00084	SPARK PLUG (BP6HS)	1	model VF, VG
11-2	09482-00228	SPARK PLUG (BP5HS)	1	model VH
12	33510-22010	CAP	1	
13-1	33541-98600	SEAL, spark plug	1	model VF, VG
13-2	33541-93950	SEAL, spark plug	1	model VH
14	37800-98550	SWITCH ASSY, engine stop	1	
15	18411-98600	CUP, starter	1	
16	02112-06122	SCREW	3	
17	33542-98000	SEAL, high tension cord	1	
18	32150-98600	COIL, ignition primary, A	1	
19	32900-98600	CDI UNIT	1	
20	09103-06050	BOLT	1	
21	32120-98610	COIL, lighting	1	

FIG. 8

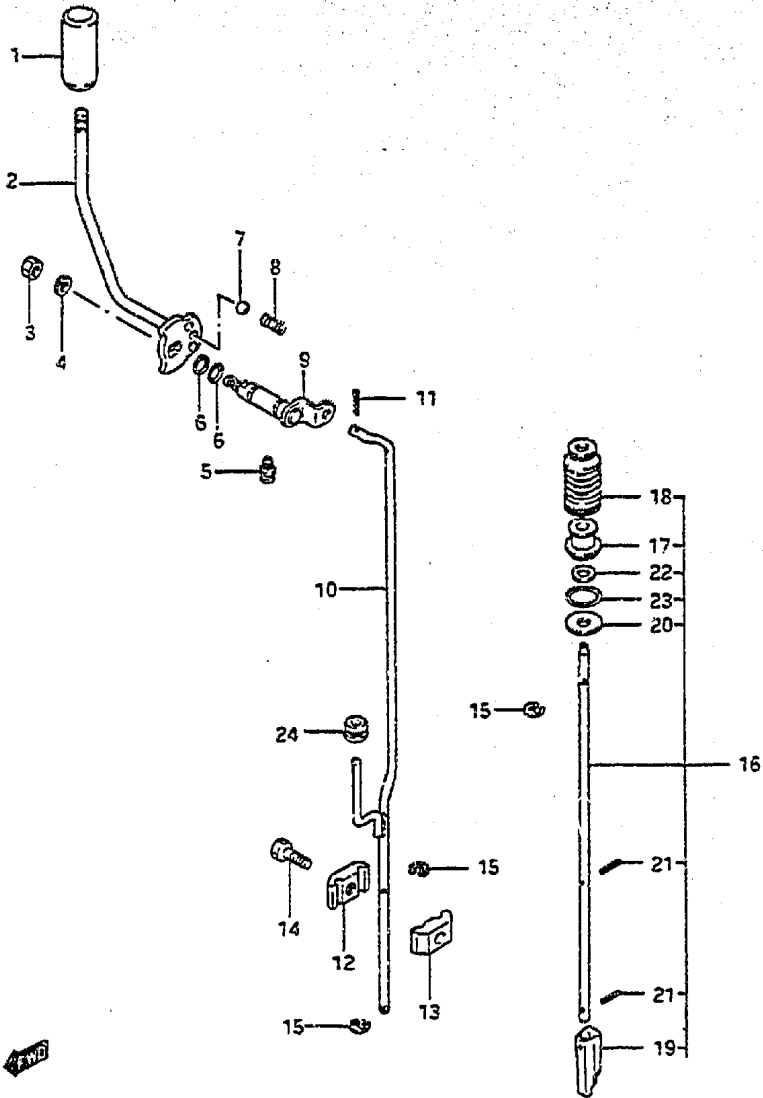


FIG. 8 (B- 9) CLUTCH

REF.NO.	PART NO.	DESCRIPTION	Q'TY	REMARKS
1	21141-98500	KNOB, clutch lever	1	
2	21110-98600	LEVER, clutch	1	
3	09140-08016	NUT	1	
4	09162-08007	LOCK WASHER	1	
5	22511-99001	GREASE NIPPLE, clutch	1	
6	09280-09003	O RING, clutch lever shaft	2	
7	09260-10005	BALL, clutch notch	1	
8	09440-07021	SPRING, clutch notch	1	
9	21210-98600	SHAFT, clutch lever	1	
10-1	23110-98610	ROD, clutch (S)	1	to 23110-98611
10-2	23110-98611	ROD, clutch (S)	1	612739~
10-3	23110-98600	ROD, clutch (L)	1	to 23110-98601
10-4	23110-98601	ROD, clutch (L)	1	612739~
11	09204-01001	COTTER PIN	1	
12	23511-99001	CONNECTOR, clutch rod No.1	1	
13	23321-99001	CONNECTOR, clutch rod No.2	1	
14	09128-06014	BOLT, clutch rod	1	
15-1	09383-04002	E RING	3	~612738
15-2	09383-04002	E RING	2	612739~
16-1	25100-98600	ROD ASSY, shift	1	to 25100-98601
16-2	25100-98601	ROD ASSY, shift	1	612739~
17	25211-98600	.GUIDE, shift rod	1	
18	25222-93901	.BOOT, shift rod	1	
19	25311-93900	.CAM, shift	1	
20	09160-05011	.WASHER	1	
21	09205-02006	.SPRING PIN	2	
22	09280-05006	.O RING	1	
23	09280-16011	.O RING	1	
24	09305-05003	BUSH, shift rod	1	

END

FIG. 9

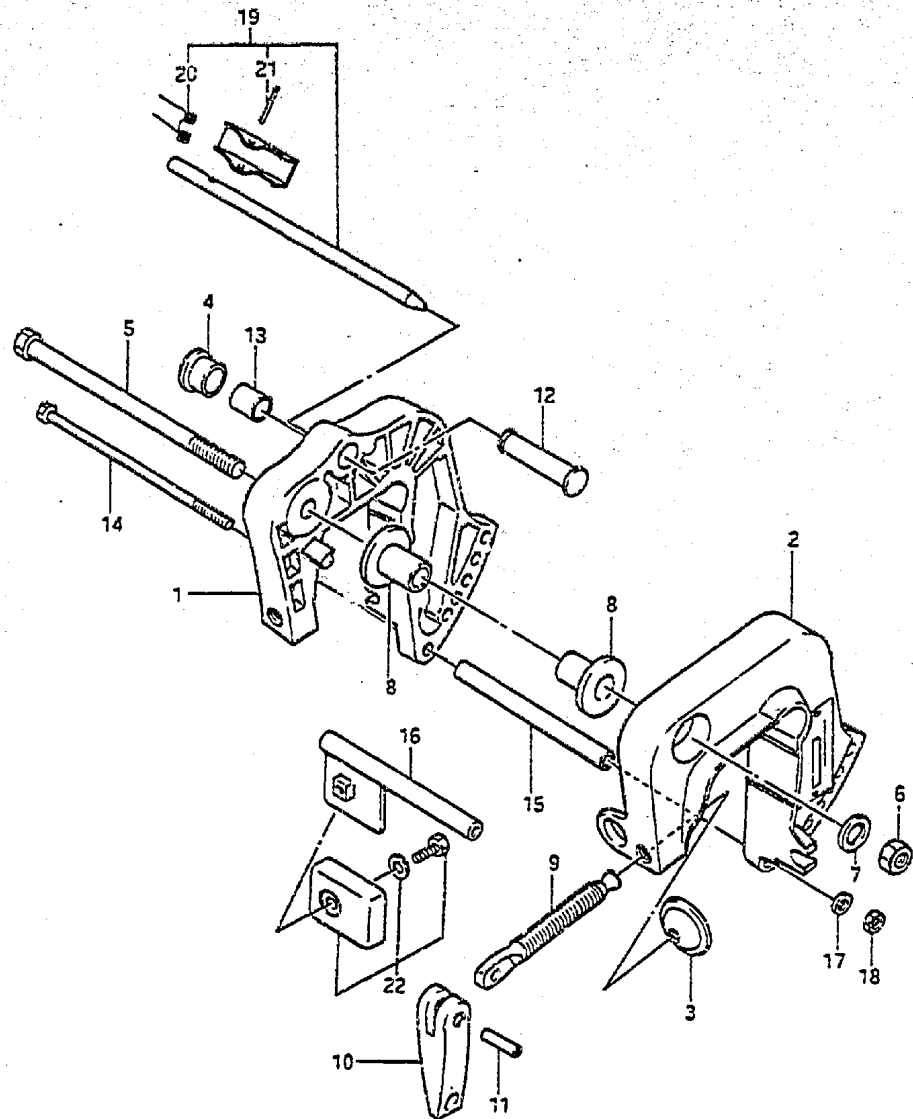


FIG. 9 (B-10) CLAMP BRACKET

Q'TY

REF.NO.	PART NO.	DESCRIPTION	Q'TY	REMARKS
1	41111-98600-02M	BRACKET, clamp STBD	1	
2	41121-98602-02M	BRACKET, clamp PORT	1	
3	41213-98100	PLATE, clamp	2	
4	41221-96300	KNOB, tilt stopper	1	
5	09100-10217	BOLT	1	
6	09159-10050	NUT	1	
7	09160-10082	WASHER	1	
8	09306-10011	BUSH	2	
9	41211-98600	SCREW, clamp	2	
10	41212-98601	HANDLE, clamp	2	
11	09205-05013	PIN	2	
12	41222-93910	PIN, tilt stopper	1	
13	09303-14003	BUSH	1	
14	09100-06125	BOLT	1	
15	09160-06113	SPACER	1	model VE, VF
16	41310-93900	ROD, clamp bracket lower	1	model VH
17	09162-06006	LOCK WASHER	1	
18	09140-06020	NUT	1	
19	45420-98600	PIN TILT LOCK	1	
20	45423-98600	.SPRING	1	
21	09205-03020	.PIN	1	
22	35320-95310	ZINC SET, protection	1	

FIG. 10

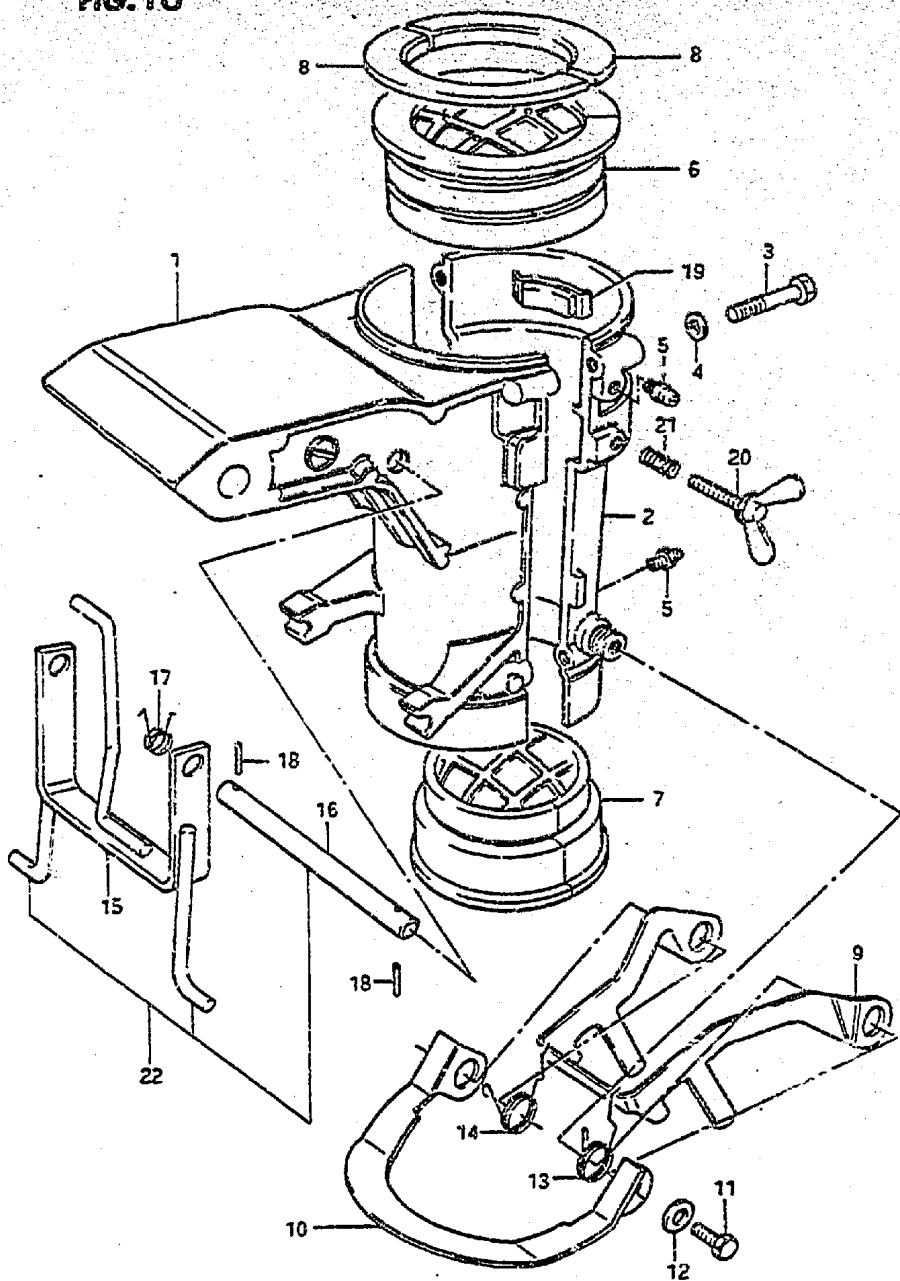


FIG. 10 (8-11) SWIVEL BRACKET

QTY

REF. NO.	PART NCL.	DESCRIPTION	QTY	REMARKS
1-1	43111-98601-02M	BRACKET, swivel	1	-506364
1-2	43111-98602-02M	BRACKET, swivel	1	506365-
2	43121-98601-02M	COVER, swivel bracket	1	
3	09100-06125	BOLT, swivel bracket (6x40)	4	
4	09162-06001	LOCK WASHER	4	
5-1	22511-99000	GREASE NIPPLE	2	-506364
5-2	22511-99001	GREASE NIPPLE	4	506365-
5	43711-98601	BUSHING, steering upper	1	
7	43721-98601	BUSHING, steering lower	1	
8	43712-98601	PLATE, upper bushing	2	
9	45231-98601-02M	ARM, reverse lock arm	1	
10	45232-98600-02M	PLATE, reverse lock	1	
11	09100-06126	BOLT	2	
12	09160-06085	WASHER	2	
13	45211-98601	SPRING, STBD	1	
14	45212-98601	SPRING, PORT	1	
15	45710-98600-02M	ARM, shallow drive	1	
16	09200-08045	SHAFT, shallow water drive	1	
17	45722-98600	SPRING	1	
18	09204-01002	PIN	2	
19	43410-98600	ADJUSTER, steering	1	
20	09119-06060	BOLT	1	
21	09140-09012	SPRINGS	1	
22	45760-98600-02M	SHALLOW WATER DRIVE ASSY	1	OPT

FIG. 11

FIG. 11 (C- 2) DRIVE SHAFT HOUSING

Q'TY

REF.NO.	PART NO.	DESCRIPTION	Q'TY	REMARKS
1-1	52110-98611-02M	HOUSING, drive shaft (S)	1	-503403 to 52110-98613-02M with 61155-94500 09343-05351 09401-09402
1-2	52110-98613-02M	HOUSING, drive shaft (S)	1	503404~
1-3	52110-98601-02M	HOUSING, drive shaft (L)	1	-503398 to 52110-98603-02M with 61155-94500 09343-05351 09401-09402
1-4	52110-98603-02M	HOUSING, drive shaft (L)	1	503399~
2	09205-10003	.KNOCK PIN, clutch lever	1	
3	52113-98601	GASKET, drive shaft housing	1	
4	52115-98600	COVER, clutch adjusting hole	1	
5	09248-10005	PLUG, flushing	1	
6	09168-10022	GASKET, flushing plug	1	
7	09100-08220	BOLT	6	
8	09160-08015	WASHER	6	
9	09162-08003	LOCK WASHER	6	
10	55320-98600	ZINC SET, protection	1	
11	61155-94500	TUBE, water	1	S...503404~/L...503399~
12	09343-05351	HOSE	1	
13	09401-09402	CLIP	1	
14	09100-08243	BOLT (L:55)	1	
15	09160-08015	WASHER	1	
16	09162-08003	LOCK WASHER	1	

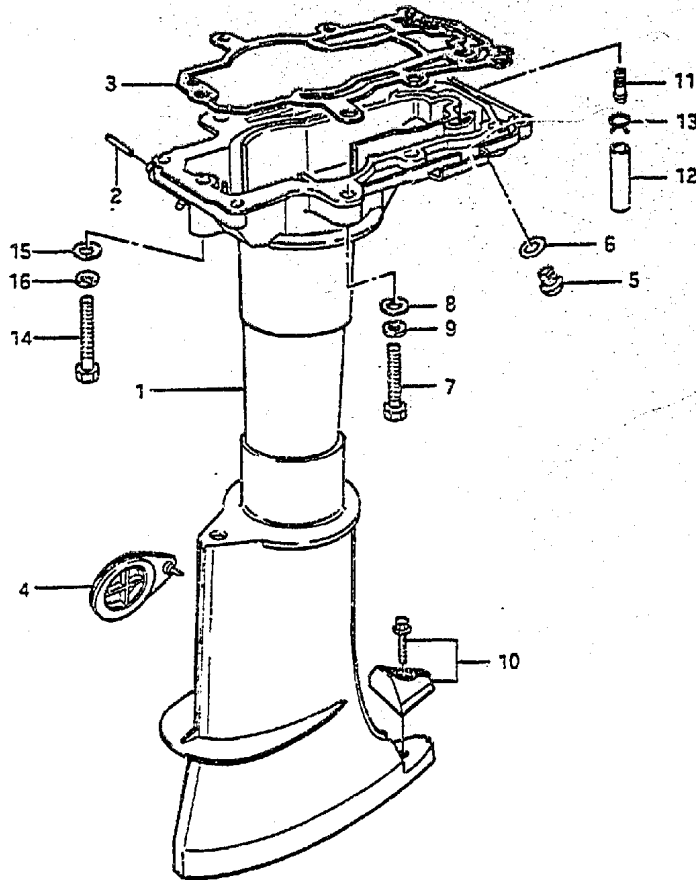


FIG. 12

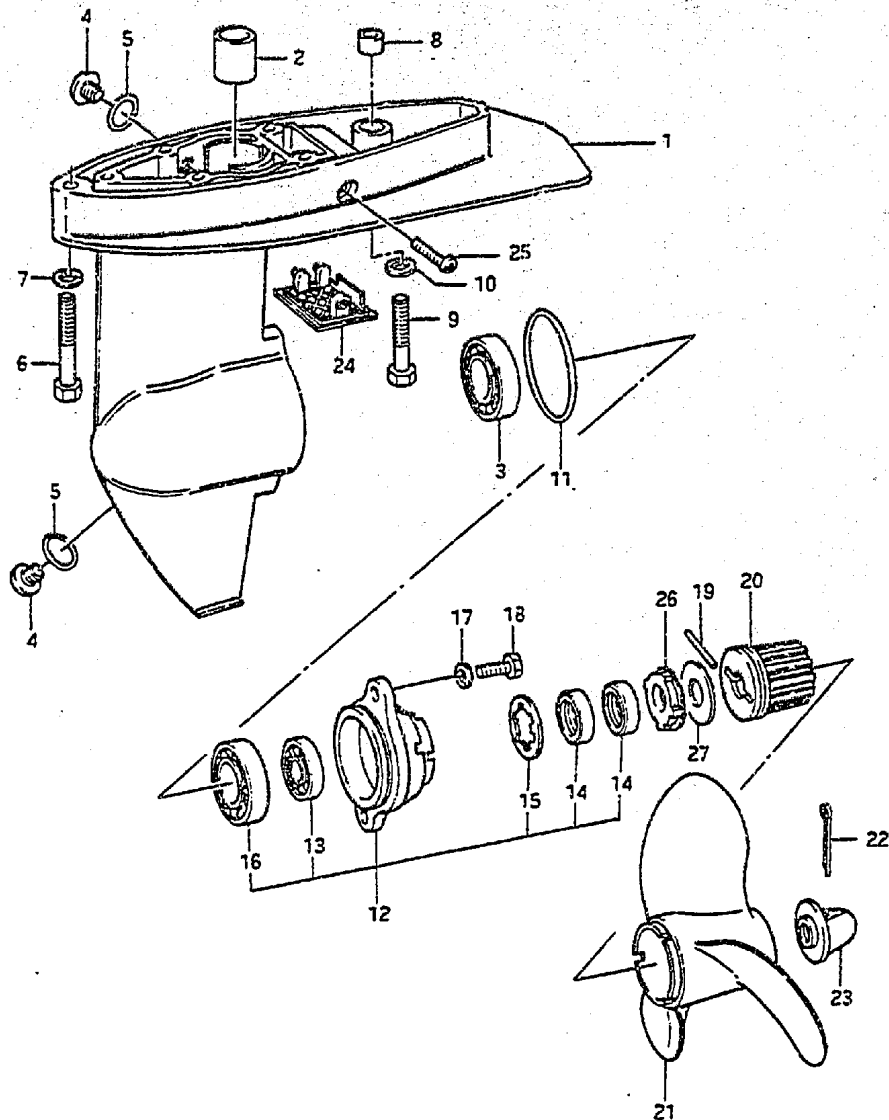


FIG.12 (C-3) GEAR CASE

Q'TY

REMARKS

REF. NO.	PART NO.	DESCRIPTION	Q'TY	REMARKS
1	55110-98601-02M	CASE SEY, gear	1	
2	09300-10007	.BUSH	1	
3	06110-60040	.BEARING, gear	1	
4	09248-10005	PLUG, drain	2	
5	09168-10022	GASKET, drain plug	2	
6	09100-08160	BOLT (8x45)	1	
7	09162-08003	LOCK WASHER	1	
8	09206-11006	PIN	1	
9	09100-08220	SOLT (8x40)	1	
10	09162-08003	LOCK WASHER	1	
11	09280-49002	O RING, bearing housing	1	
12	56120-98600-02M	HOUSING, prop shaft bearing	1	
13	08110-60010	.BEARING, propeller shaft	1	
14	09282-12003	.OIL SEAL	2	
15	09167-23001	.WASHER	1	
16	08110-60040	.BEARING, reverse gear	1	
17	09162-06001	LOCK WASHER	2	
18	09100-06102	BOLT	2	
19	09202-04002	SHEAR PIN	1	
20	58120-98600	BUSH, propeller	1	
21-1	58111-98601-01T	PROPELLER (C600,3x7-1/2x6)	1	} STD Does not include prop bush
21-2	58111-98612-01T	PROPELLER (C610,3x7-1/2x6-1/2)	1	
21-3	58111-98621-01T	PROPELLER (C700,3x7-1/2x7)	1	
22	09204-03001	COTTER PIN	1	
23	58130-98101	NUT	1	
24	17631-98600	FILTER, water	1	
25	09152-05027	SCREW	1	
26	56122-98601	PROTECTOR, oil seal	1	
27	56123-98600	WASHER	1	

FIG. 13

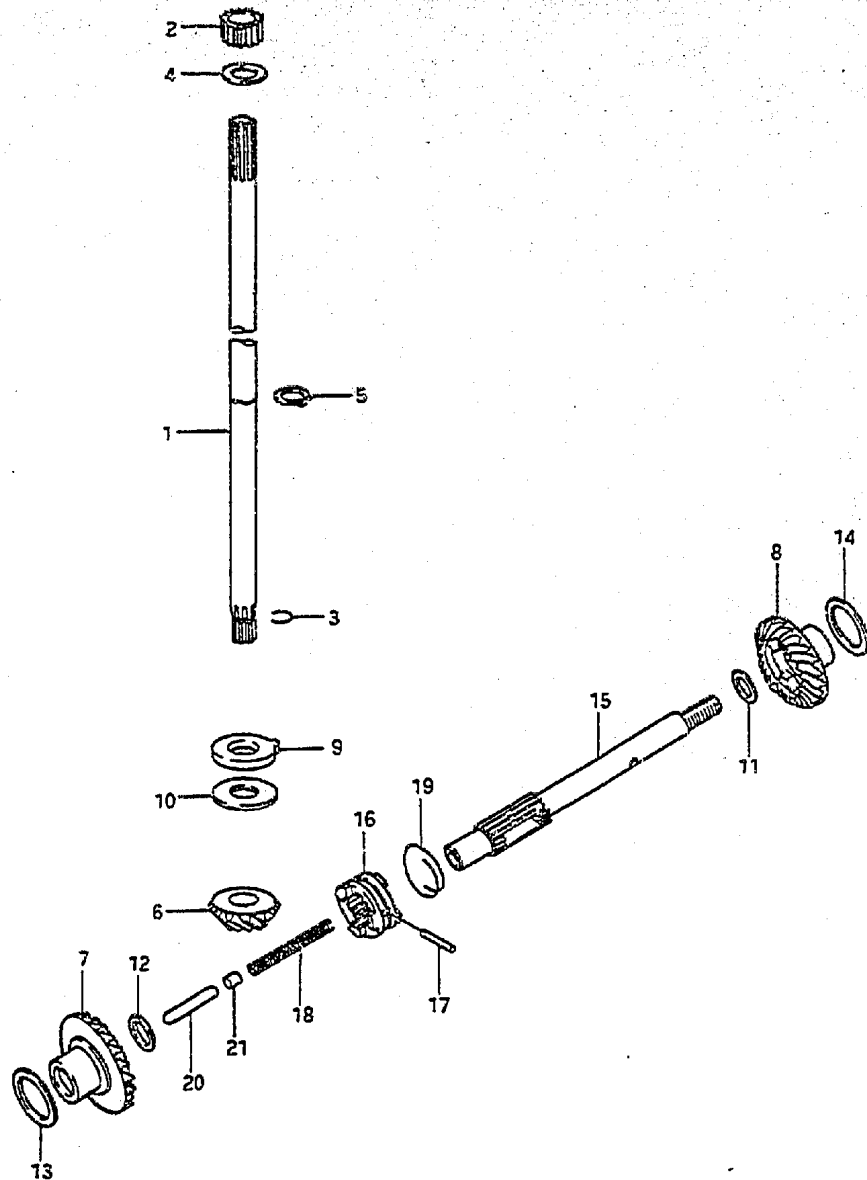


FIG. 13 (C-4) TRANSMISSION

Q'TY

REF. NO.	PART NO.	DESCRIPTION	Q'TY	REMARKS
1-1	57111-98610	SHAFT, drive (S)	1	L:663,-501203
1-2	57111-98611	SHAFT, drive (S)	1	L:663,501204-
1-3	57111-98600	SHAFT, drive (L)	1	L:790,-501203
1-4	57111-98601	SHAFT, drive (L)	1	L:790,501204-
2	09307-10002	BUSH, drive shaft upper	1	
3	09380-10002	RING, drive shaft snap	1	
4	08211-10181	THRUST WASHER	1	
5	08331-31109	CIRCLIP	1	
6	57311-98600	PINION	1	
7	57510-98600	GEAR, forward	1	
8	57521-98600	GEAR, reverse	1	
9	09169-12002	THRUST WASHER	1	
10-1	09160-10088	WASHER (1.7)	1	
10-2	09160-10089	WASHER (1.8)	1	
10-3	09160-10090	WASHER (1.9)	1	
10-4	09160-10091	WASHER (2.0)	1	
10-5	09160-10092	WASHER (2.1)	1	
11-1	09160-12070	THRUST WASHER (0.8)	1	
11-2	09160-12071	THRUST WASHER (1.2)	1	
11-3	08211-12161	THRUST WASHER REV (1.0)	1	
12	08211-12161	THRUST WASHER FWD (1.0)	1	
13-1	09181-20023	SHIM, FWD (0.9)	1	
13-2	09181-20024	SHIM, FWD (1.1)	1	
13-3	09181-20025	SHIM, FWD (1.2)	1	
13-4	08211-20281	SHIM, FWD (1.0)	1	
13-5	08221-20286	SHIM, FWD (0.8)	1	

FIG. 13

FIG. 13 (C- 5) TRANSMISSION

Q'TY

REMARKS

REF. NO.	PART NO.	DESCRIPTION	Q'TY	REMARKS
14-1	09181-20023	SHIM, REV (0.9)	1	
14-2	09181-20028	SHIM, REV (0.6)	1	
14-3	09181-20029	SHIM, REV (0.7)	1	
14-4	08211-20281	SHIM, REV (1.0)	1	
14-5	08221-20286	SHIM, REV (0.8)	1	
15	57611-98601	SHAFT, propeller	1	
16	57621-98600	SHIFTER, clutch dog	1	
17	09202-04016	PIN, clutch dog	1	
18	09440-05029	SPRING	1	
19	09440-24007	SPRING, dog	1	
20	57631-98600	ROD, push	1	
21	57632-98500	PIN, push	1	

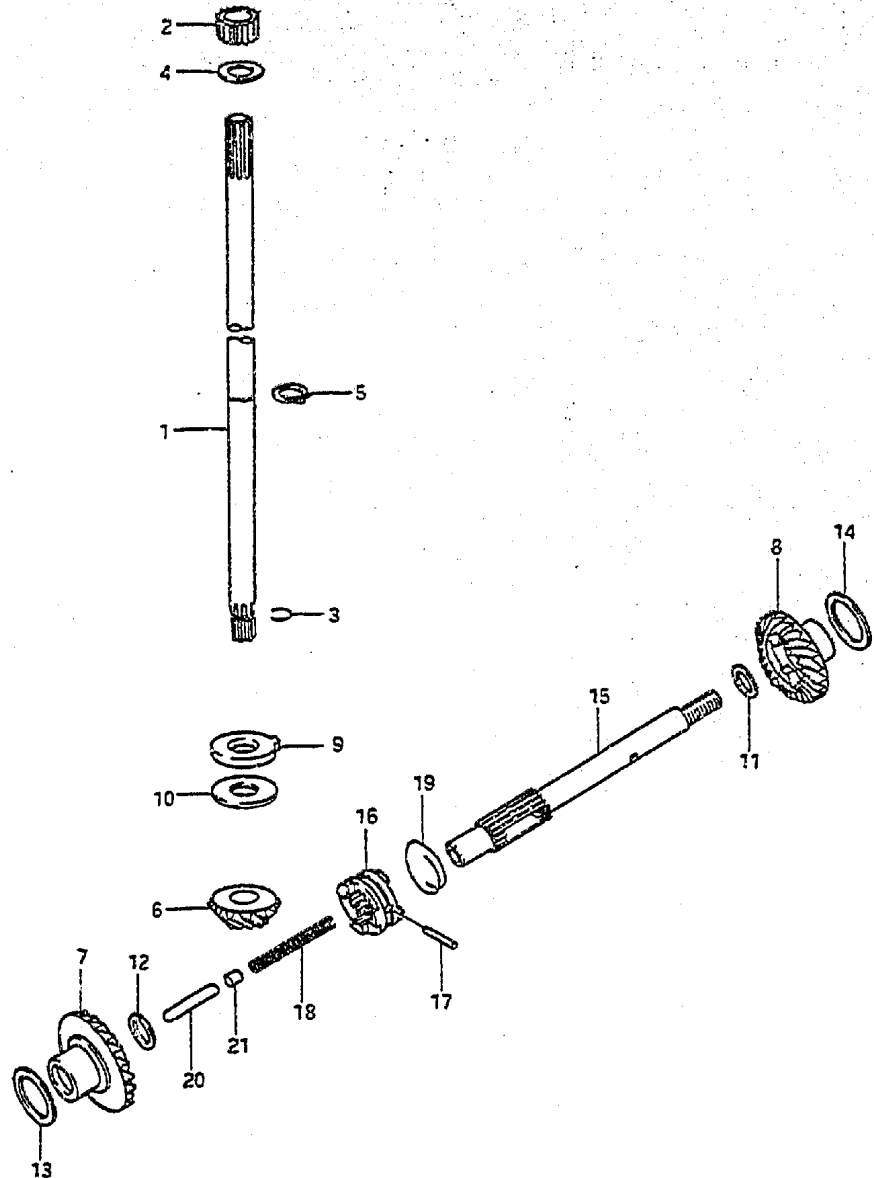


FIG. 14

FIG.14 (C- 6) HANDLE

Q'TY

REMARKS

REF.NO.	PART NO.	DESCRIPTION	Q'TY	REMARKS
1	63111-98601-02H	HANDLE, tiller	1	
2	63115-98600	BUSH, tiller handle	2	
3	63116-98602	MOUNT, tiller handle	2	
4	63125-98602	STOPPER	1	
5	63210-93901	GRIP, handle	1	
6	63221-98600	ROD, handle	1	
7	63225-98601	PLATE, throttle	1	
8	63241-98601	SPRT, handle rod	1	
9	63244-98601	KNOB, throttle	1	
10	09126-06006	SCREW	1	
11-1	09125-05029	SCREW	2	model VF,VG
11-2	09136-05041	SCREW	2	model VH
12	09160-05010	WASHER	2	
13	63610-98601	CABLE ASSY, throttle	1	
14	63621-98600	.GUIDE, throttle cable	1	
15	09308-05015	GROMMET	1	
16	09308-05018	GROMMET	1	
17	01107-05122	BOLT	2	
18	08321-21052	LOCK WASHER	2	
19	08322-21052	WASHER	2	
20	63215-93400	MARK, handle grip	1	
21	09280-20004	O RING	1	
22	09148-06008	NUT	1	

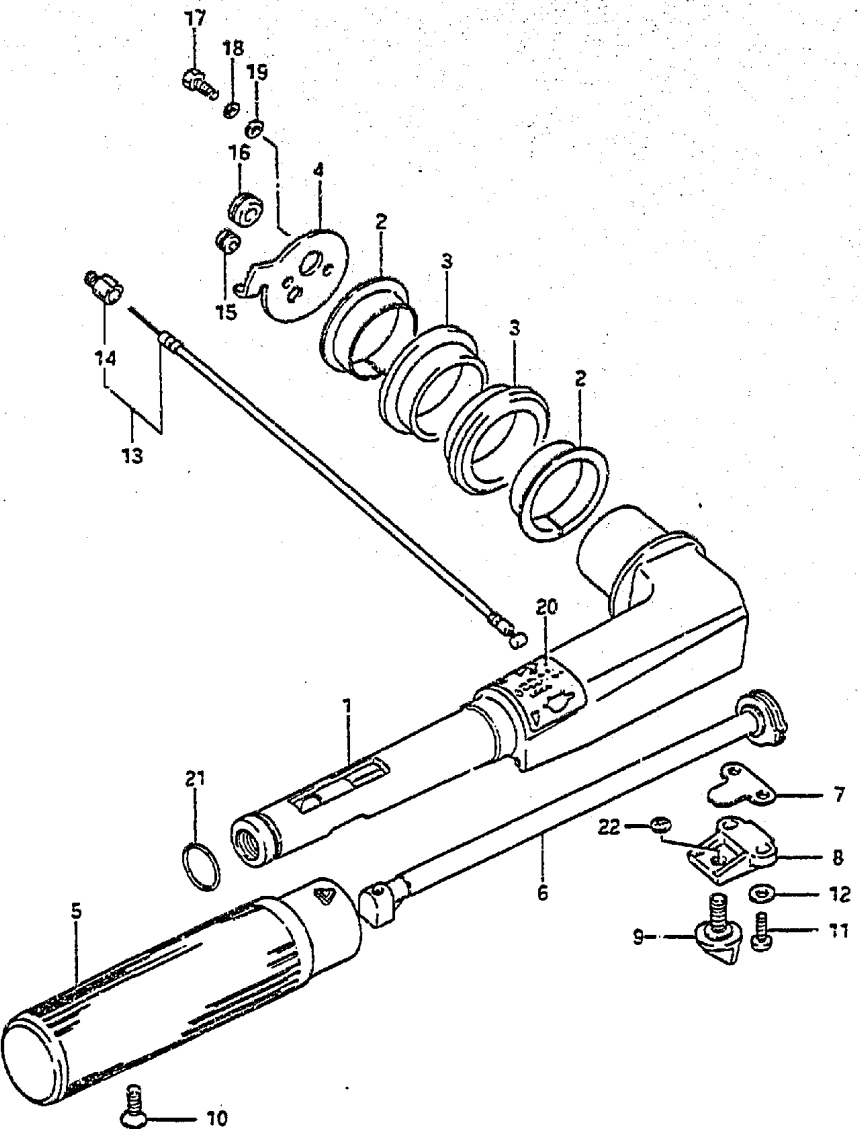


FIG. 15

FIG. 15 (C- 7) LOWER COVER

Q'TY

REF.NO.	PART NO.	DESCRIPTION	REMARKS
1	61111-98602-02M	COVER, engine lower	1
2	61112-58602	RUBBER	1
3	09100-06115	BOLT (6x16)	4
4	09162-06001	LOCK WASHER	4
5	61635-98600	LEVER, hook	1
6	61631-98602	HOCK, lower cover	1
7	13632-93900	GROMMET	1
8	61635-98602	PIN	1
9	08310-22062	NUT	1
10	09100-06115	BOLT	1
11	09162-06001	LOCK WASHER	1
12	09160-06052	WASHER	1
13	61521-98400	HOLDER, shear pin	1
14	61636-98600	ROLLER, ENG lower cover hock	1
15	61182-98600-02M	PLATE, lower cover	1
16	02112-0A082	SCREW	2
17	08322-21082	WASHER	2
18	08310-11042	NUT	2

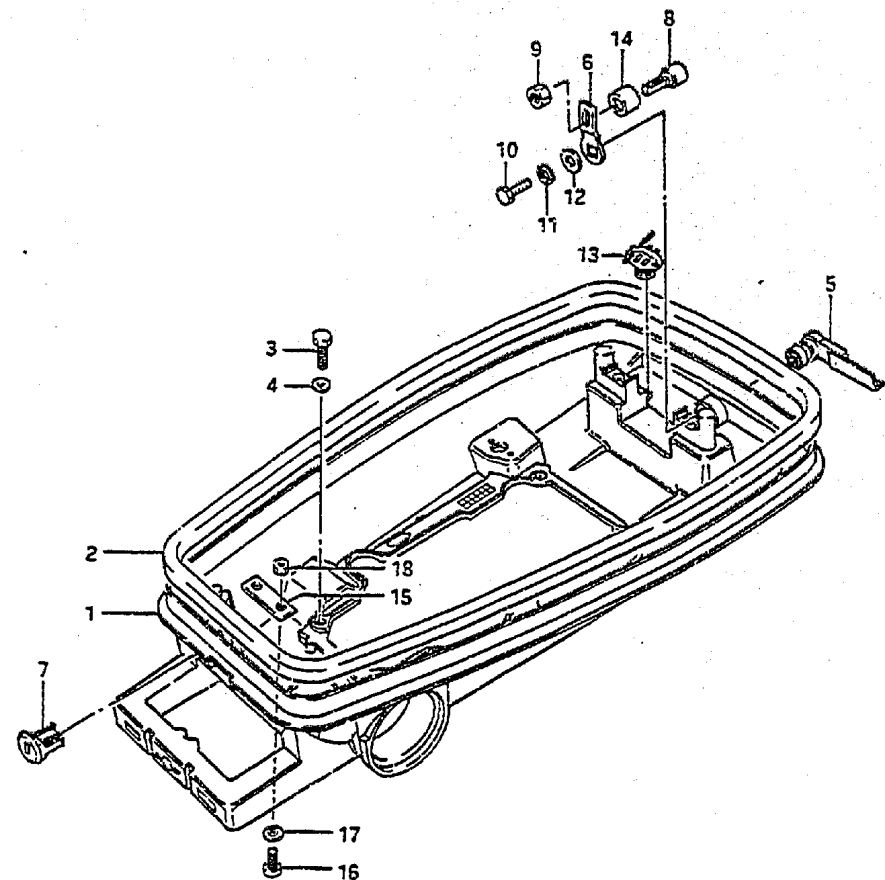


FIG. 16

FIG. 16 (C- 8) ENGINE COVER (model VF)

Q'TY

REF. NO.	PART NO.	DESCRIPTION	Q'TY	REMARKS
1	61402-90830-02M	COVER SET, engine	1	
2	61435-98650	.MARK, rear	1	
3	61343-98650	.DECAL, STBD	1	
4	61453-98650	.DECAL, PORT	1	
5	21151-96003	.MARK, clutch shifting	1	
6	61441-98560	.EMBLEM SUZUKI	2	
7	61622-98600	.SEAL, recoil starter	2	
8	68110-96110	COVER, weather	1	OPT

Refer to FIG. 17 (C-9) for model VG, VH

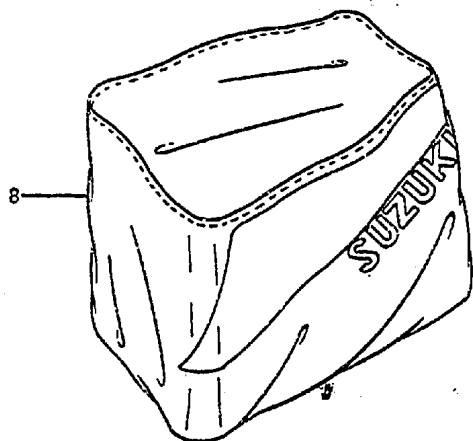
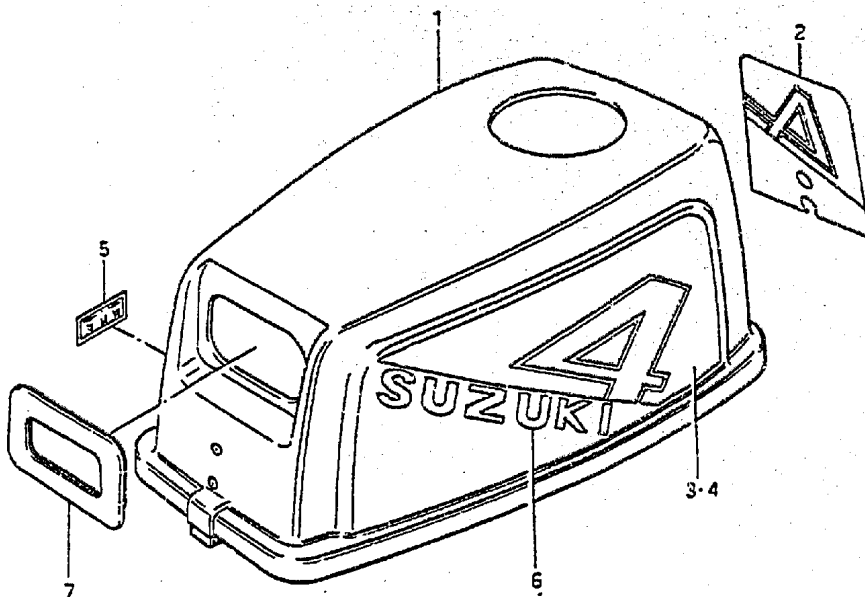


FIG.17

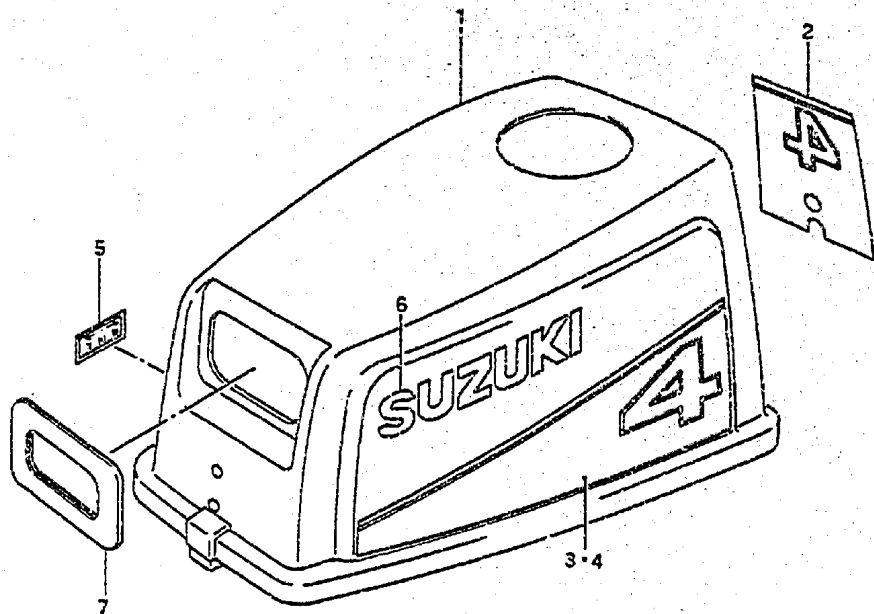


FIG.17 (C-9) ENGINE COVER (model VG,VH)

REF.NO.	PART NO.	DESCRIPTION	Q'TY	REMARKS
1	61402-9889C-02M	COVER SET, engine	1	
2	61435-98630	.MARK, rear	1	
3	61443-98630	.DECAL, STBD	1	
4	61453-98630	.DECAL, PORT	1	
5	21131-75003	.MARK, clutch shifting	1	
6	61441-98600	.EMBLEM SUZUKI	2	
7	61522-98600	.SEAL, recoil starter	1	
8	68110-96110	COVER, weather	1	OPT

Refer to FIG.16 (C-9) for model VF

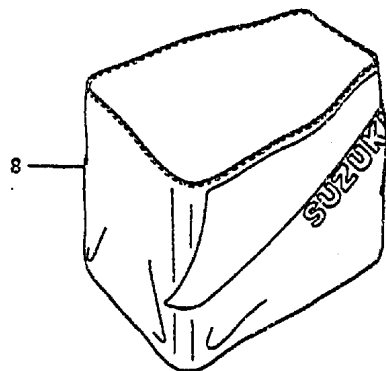


FIG. 18

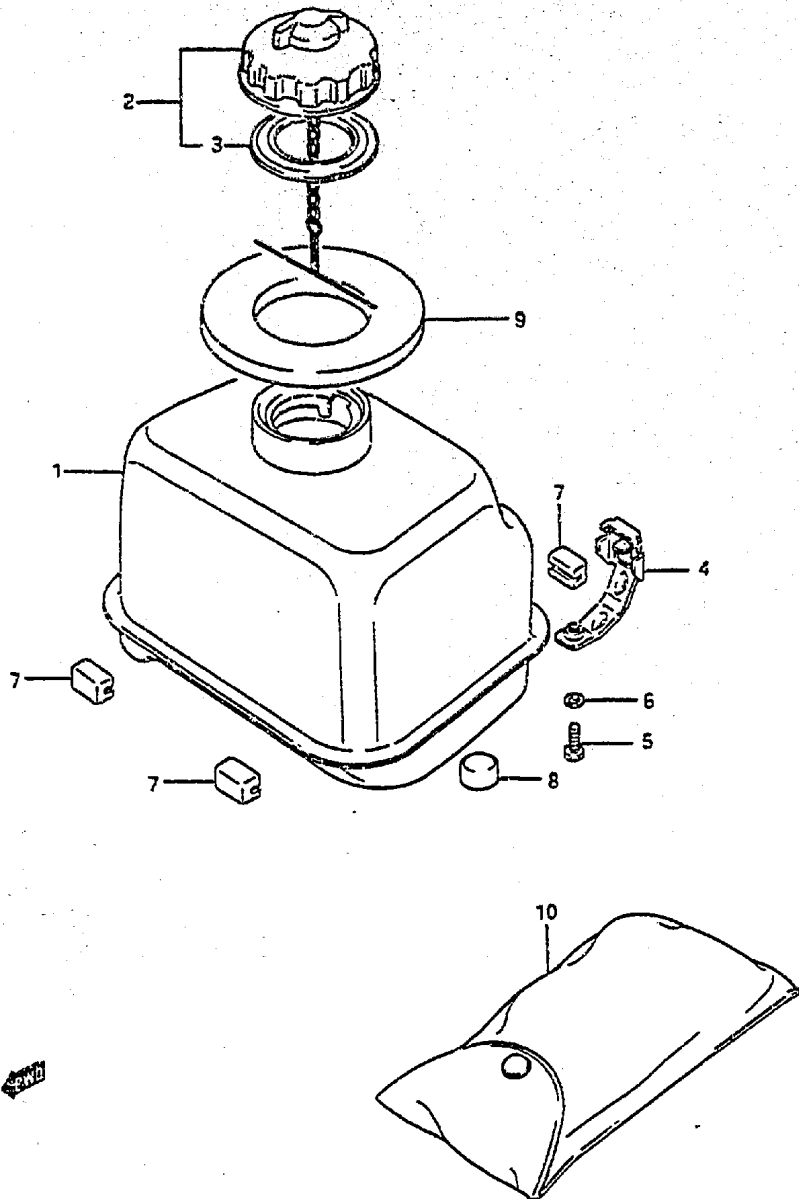


FIG. 18 (C-10) FUEL TANK

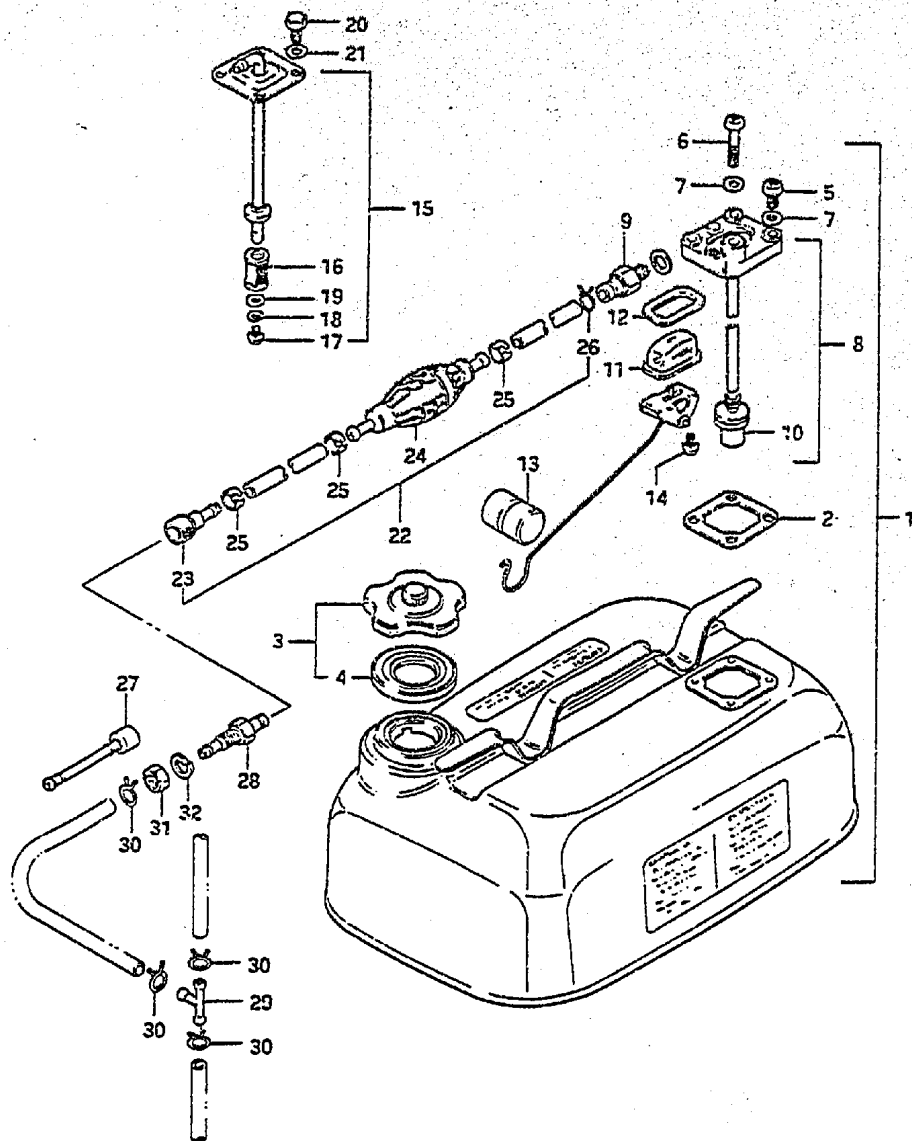
REF. NO.	PART NO.	DESCRIPTION	Q'TY	REMARKS
1	65110-98601	TANK, fuel	1	
2	65310-98602	CAP ASSY, fuel tank	1	
3	65561-98600	GASKET, fuel tank cap	1	
4	65261-98601	BRACKET, fuel tank	2	
5	09100-06089	BOLT	2	
6	09162-06001	LOCK WASHER	2	
7	65255-98600	CUSHION	4	
8	09329-12004	CUSHION	3	
9	65281-98601	GROMMET	1	
10	09800-81600	TOOL SET	1	

FIG. 19

FIG. 19 (D-2) OPTIONAL : FUEL TANK

Q'TY

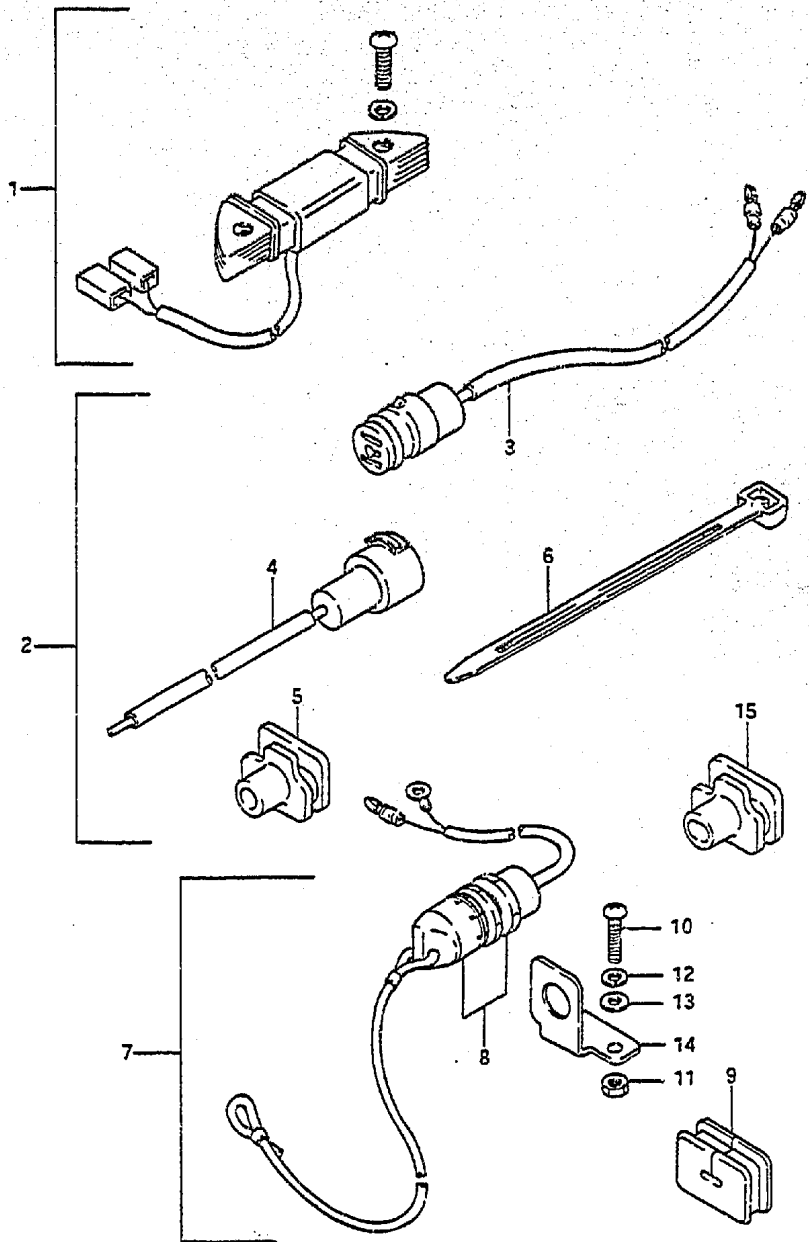
REMARKS



REF. NO.	PART NO.	DESCRIPTION	Q'TY	REMARKS
1	65000-98500	TANK SET, fuel	1	
2	65871-93010	GASKET, fuel gauge	1	
3	65510-98507	.CAP ASSY, tank	1	
4	65561-98502	..GASKET, cap	1	
5	02112-06162	.SCREW	3	
6	02112-06402	.SCREW	1	
7	09168-06002	.WASHER	4	
8	65850-98104	.FUEL GAUGE ASSY	1	See Note 1
9	65740-95500	..CONNECTOR, male fuel	1	
10	65830-95500	..FILTER	1	
11	65853-93001	..STRAINER	1	
12	65854-93001	..GASKET, strainer	1	
13	65864-95200	..FLOAT	1	
14	02112-04102	..SCREW	2	
15	65880-98500	OUTLET ASSY, tank	1	See Note 2-STD
16	65830-93301	.FILTER	1	
17	02112-05082	.SCREW	1	
18	08321-21052	.LOCK WASHER	1	
19	08322-21052	.WASHER	1	
20	01107-06102	BOLT	4	
21	08322-21062	WASHER	4	
22	65700-98506	HOSE fuel	1	See Note 3
23	65750-98505	.CONNECTOR, female fuel	1	
24	65770-99702	.PUMP squeeze	1	
25	65781-98500	.CLIP	3	
26	09401-11402	.CLIP	1	
27	65700-95271	HOSE, fuel joint	1	
28	65720-98520	PLUG, fuel connector	1	
29	09367-06002	3 WAY	1	
30	09401-09402	CLIP	4	Available in kit form Part 65700-98571
31	08310-22102	NUT	1	
32	08321-21102	LOCK WASHER	1	

Note #1: Replacement complete fuel tanks are available with this fuel gauge.
 Note #2: Standard fuel tank with motor is available only with this fuel outlet, part #65880-98500.
 Note #3: Must also use male connector, part #65750-98505, when using this fuel hose with fuel tank, part #65000-98500.

FIG. 20



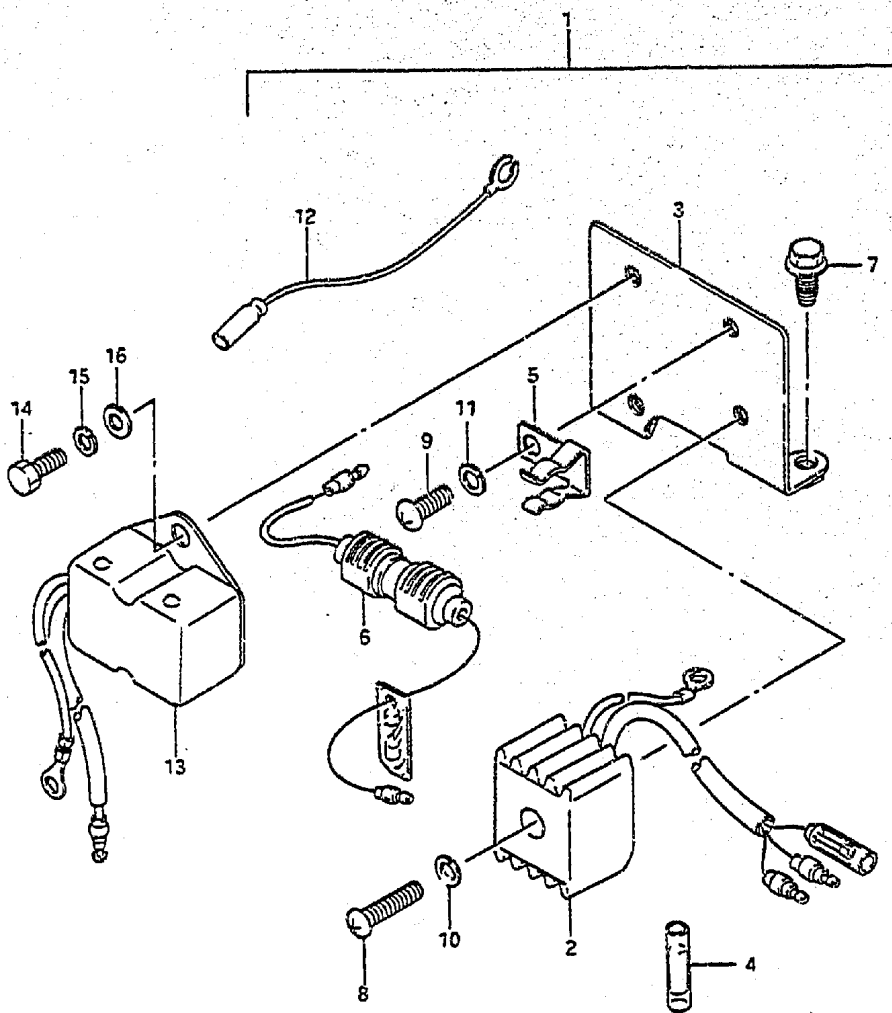
REF.NO.	PART NO.	DESCRIPTION	Q'TY	REMARKS
1	32200-98610	COIL SET, lighting	1	
2	39600-93900	RECEPTACLE	1	
3	39601-93902	RECEPTACLE ASSY, lighting	1	
4	39602-93900	PLUG ASSY, lighting	1	
5	39603-93900	GROMMET	1	
6	36632-95501	CLAMP	1	
7	37802-98600	SWITCH SET, emergency	1	
8	37820-98110	SWITCH ASSY, emergency	1	
9	37824-93900	GROMMET	1	
10	02112-04162	SCREW	2	
11	08310-11042	NUT	2	
12	08321-21042	LOCK WASHER	2	
13	08322-21042	WASHER	2	
14	37950-93901	BRACKET, emergency switch	1	
15	37824-98100	GROMMET	1	

FIG. 21

FIG. 21 (D- 4) OPTIONAL : ELECTRICAL

Q'TY

REMARKS



REF. NO.	PART NO.	DESCRIPTION	Q'TY	REMARKS
1	32801-98600	RECTIFIER SET	1	
2	32800-95720	.RECTIFIER ASSY	1	
3	32890-98600	.BRACKET, rectifier	1	
4	37132-93700	.CONNECTOR	1	
5	36791-95200	.HOLDER, fuse case	1	
6	36740-95252	.CASE ASSY, fuse	1	
7	09103-06049	.BOLT	2	
8	02112-05252	.SCREW	1	
9	02112-06082	.SCREW	1	
10	08321-21052	.LOCK WASHER	1	
11	08321-21062	.LOCK WASHER	1	
12	36898-93300	.LEAD, receptacle	1	
13	32500-95721	REGULATOR ASSY, voltage	1	
14	01107-06102	BOLT	2	
15	08321-21062	LOCK WASHER	2	
16	08322-21062	WASHER	2	

FIG. 22

FIG. 22 (D- 5) OPTIONAL : REMOTE CONTROL

Q'TY

REMARKS

REF. NO.	PART NO.	DESCRIPTION	Q'TY	REMARKS
1	67200-93960	REMOTE CONTROL BOX ASSY	1	
2	67232-95600	.BUSH	1	
3	67232-95620	.BUSH	1	
4	67296-95600	.SCREW	3	
5	67294-95600	.SPACER	3	
6	67288-94310	.WASHER	3	
7	09140-06004	.NUT	3	
8	67232-95610	.BUSH	1	
9	67253-95600	.WASHER	2	
10	67252-95600	.BUSH	2	
11	09100-08232	.BOLT	1	
12	67296-94300	.SCREW	2	
13	67241-95650	.LEVER, free throt	1	
14	09126-05003	.SCREW	2	
15	67243-95600	.BUSH	1	
16	67220-95600	.PLATE ASSY	1	
17	67275-95600	.END, cable	2	
18	67223-95600	.KNOB, brake ADJ	1	
19	67292-94300	.E RING	3	
20	67267-95610	.COVER, wire	1	
21	67296-95610	.SCREW	7	
22	67257-95610	.CAP, lever	1	
23	67256-95600	.HOLDER, neut lock	1	
24	67251-95650	.LEVER, handle	1	

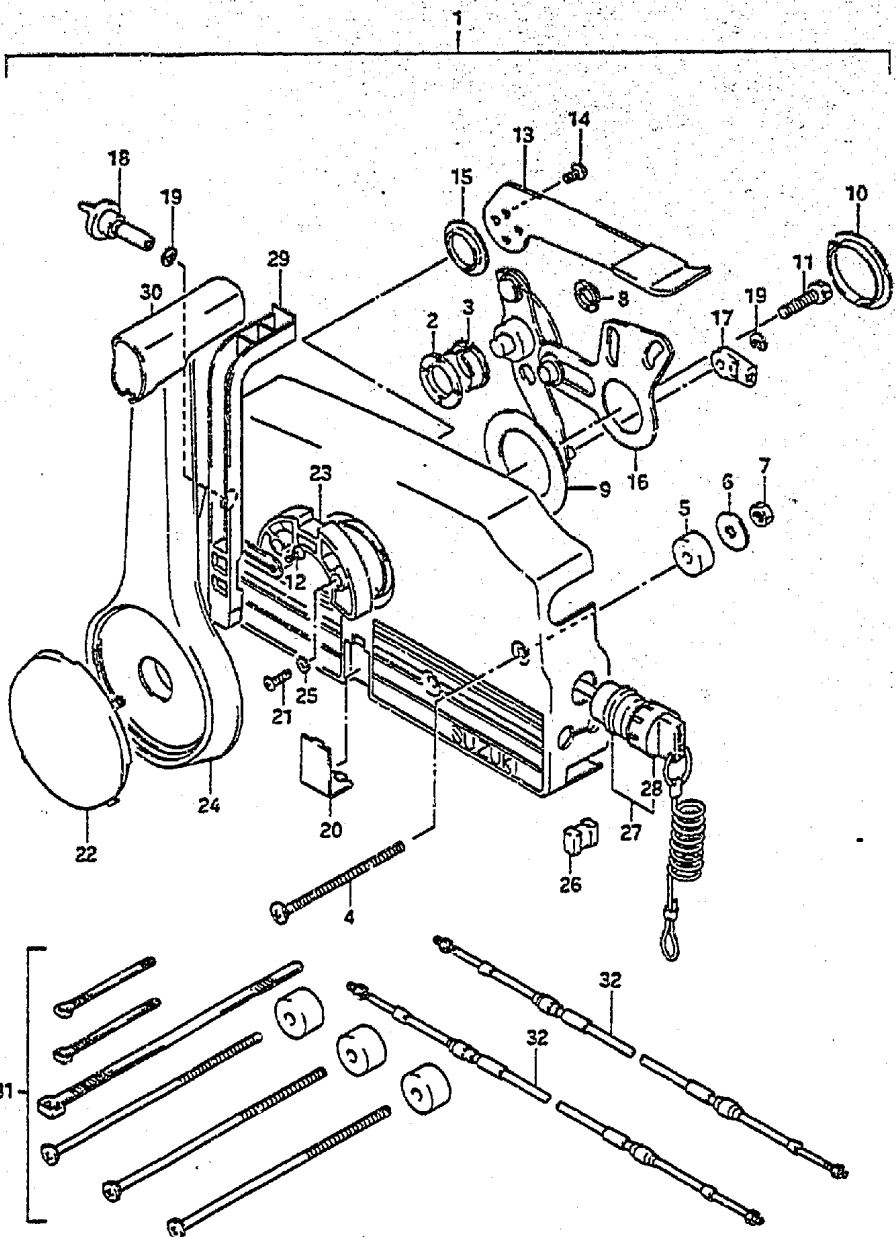
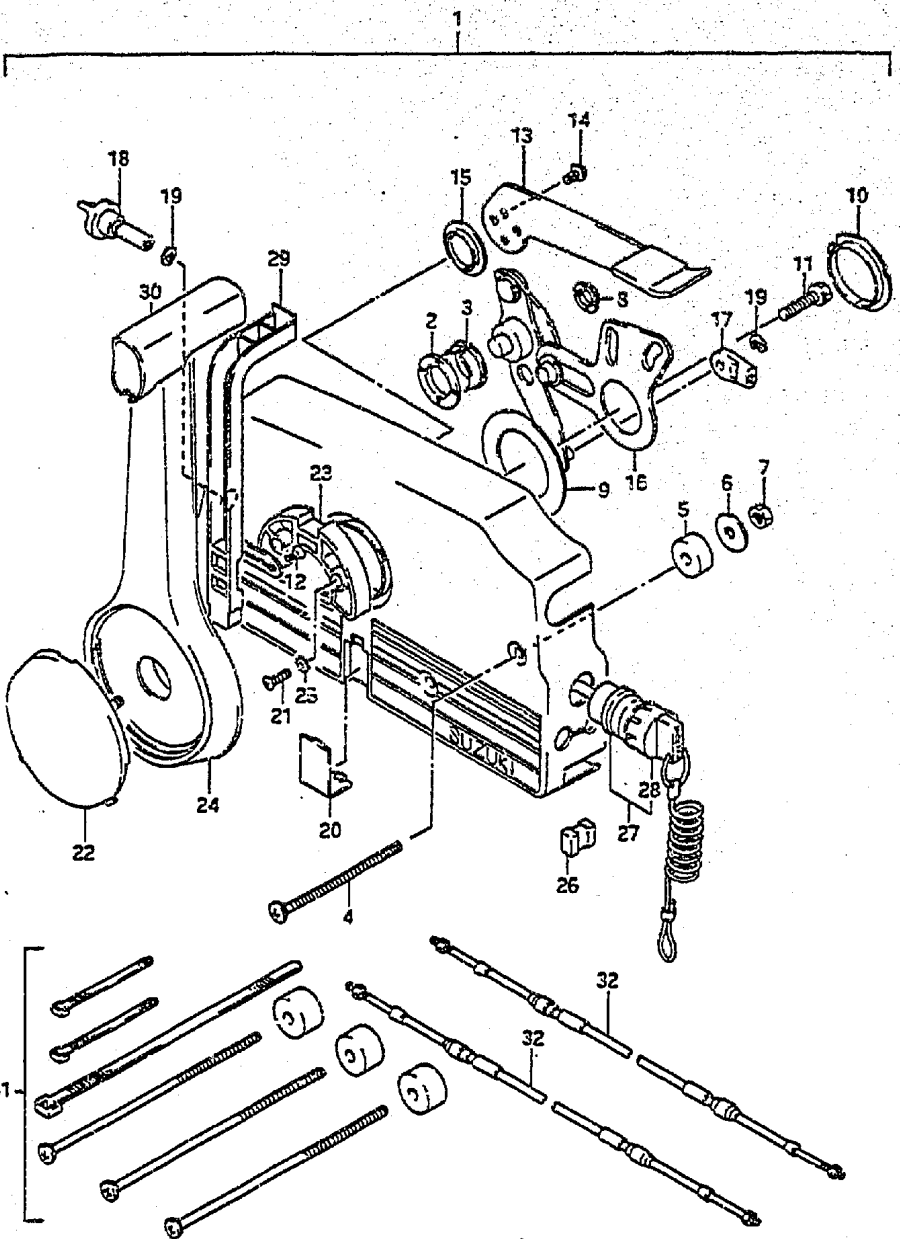


FIG. 22

FIG. 22 (D- 6) OPTIONAL : REMOTE CONTROL

Q'TY

REMARKS



REF. NO.	PART NO.	DESCRIPTION	Q'TY	REMARKS
25	67297-95600	.WASHER	2	
26	67273-95600	.SPACER	1	
27	37820-94402	.SWITCH ASSY, emergency	1	
28	37823-94400	..CAP & ROPE	1	
29	67255-95600	.ARM, neutral lock	1	
30	67261-95610	.GRIP	1	
31	67140-95600	ATTACHMENT, twin remocn kit	1	
32-1	67320-95500	CABLE ASSY, remocn 6F (1.8M)	2	
32-2	67320-95510	CABLE ASSY, remocn 7F (2.1M)	2	
32-3	67320-95520	CABLE ASSY, remocn 8F (2.4M)	2	
32-4	67320-95530	CABLE ASSY, remocn 9F (2.7M)	2	
32-5	67320-95540	CABLE ASSY, remocn 10F (3.1M)	2	
32-6	67320-95550	CABLE ASSY, remocn 11F (3.4M)	2	
32-7	67320-95560	CABLE ASSY, remocn 12F (3.7M)	2	
32-8	67320-95570	CABLE ASSY, remocn 13F (4.0M)	2	
32-9	67320-95580	CABLE ASSY, remocn 14F (4.3M)	2	
32-10	67320-95590	CABLE ASSY, remocn 15F (4.6M)	2	
32-11	67320-95600	CABLE ASSY, remocn 16F (4.9M)	2	
32-12	67320-95610	CABLE ASSY, remocn 17F (5.2M)	2	
32-13	67320-95620	CABLE ASSY, remocn 18F (5.5M)	2	
32-14	67320-95630	CABLE ASSY, remocn 19F (5.8M)	2	
32-15	67320-95640	CABLE ASSY, remocn 20F (6.1M)	2	
32-16	67320-95650	CABLE ASSY, remocn 22F (6.7M)	2	

DT4 VH E3

D6

DT4 VH E3

FIG. 23

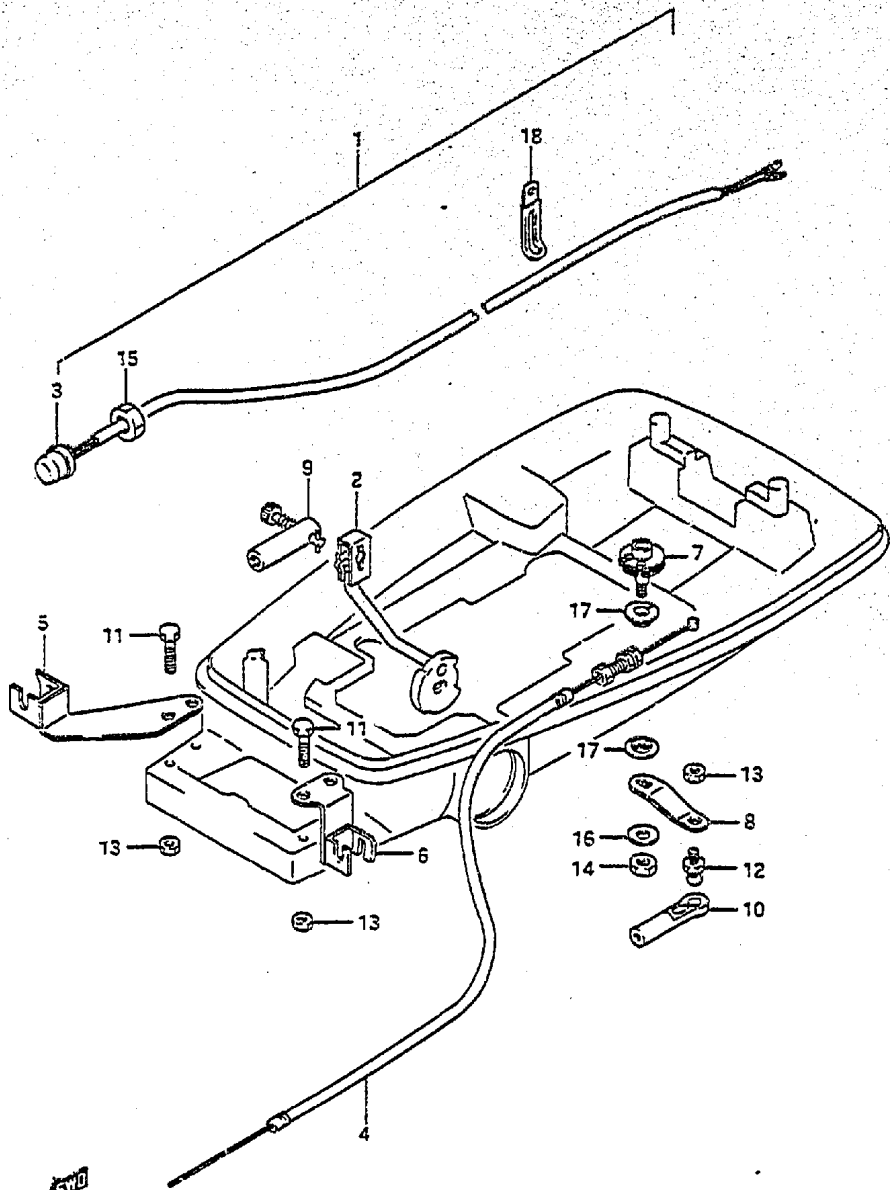


FIG. 23 (C D- 7) OPTIONAL : REMOTE CONTROL PARTS

REF. NO.	PART NO.	DESCRIPTION	Q'TY	REMARKS
1	67130-98600	PARTS ASSY, remocon	1	
2	21110-98650	LEVER, clutch	1	
3	37800-93750	SWITCH ASSY, engine stop	1	
4	63610-98610	CABLE ASSY, throttle	1	
5	67340-98600	HOLDER, remocon cable	1	
6	67340-98610	HOLDER, remocon cable	1	
7	67410-98600	SHAFT, remocon throttle	1	
8	67412-98600	LEVER, remocon throttle	1	
9	67440-93701	GUIDE, clutch cable	1	
10	67466-95200	CONNECTOR, remocon cable	1	
11	09100-06018	BOLT (6x12)	4	
12	09119-06047	BALL PIVOT	1	
13	09140-06004	NUT	5	
14	09140-08012	NUT	1	
15	09140-14014	NUT	1	
16	09160-08015	WASHER (8.5x16x1.2)	1	
17	09306-08002	BUSH	2	
18	09404-06201	CLAMP	1	

FIG. 24

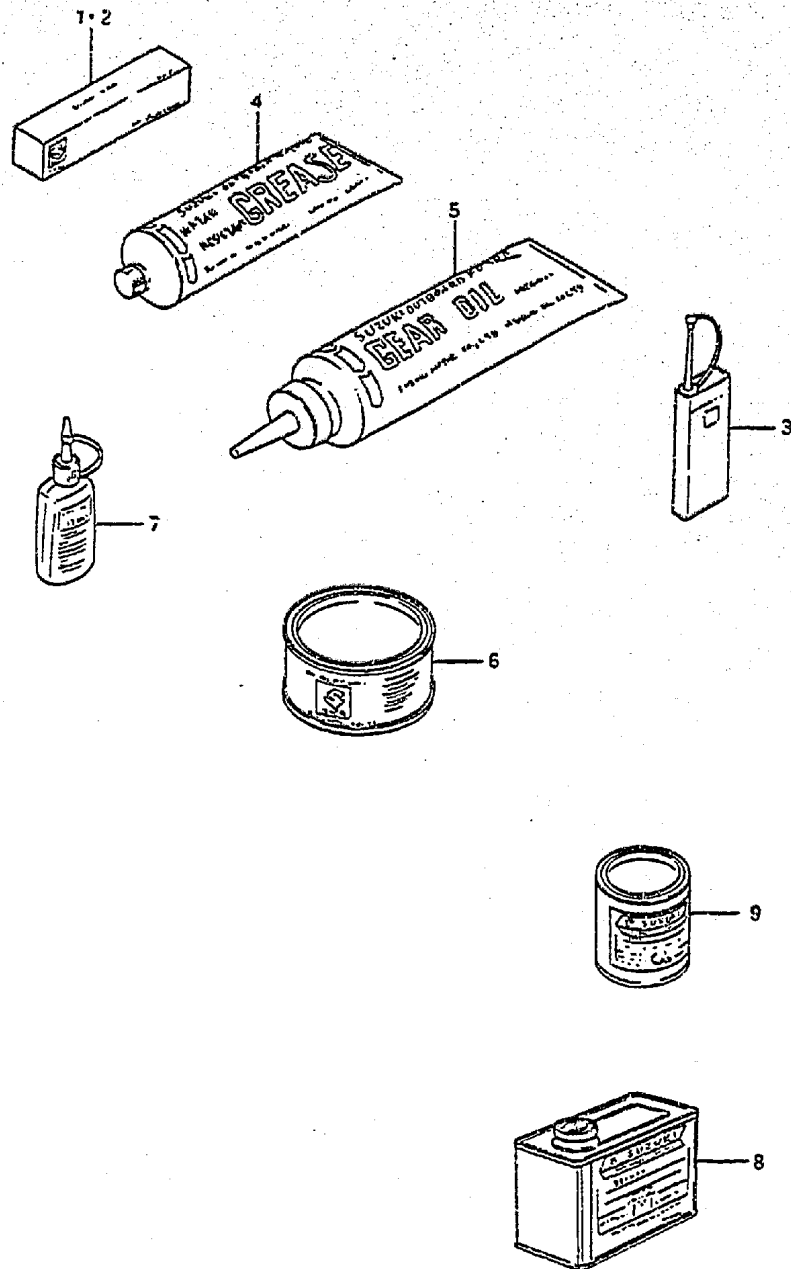


FIG. 2A (D- 3) OPTIONAL

REF. NO.	PART NO.	DESCRIPTION	Q'TY	REMARKS
1	99000-31030	GASKET, liquid	1	for crankcase,100g
2	99000-31050	GASKET, liquid	1	for gear case,100g
3	99000-32040	CEMENT, thread lock	1	200g
4-1	99000-25160	GREASE, water resistant	1	250g
4-2	99000-25170	GREASE, water resistant	1	50g
5	99000-22540	GEAR OIL, outboard motor	1	400cc
6	99000-25010	SUZUKI SUPER GREASE A	1	450g, for crank oil seal
7	99000-32030	SUZUKI LOCK SUPER	1	50g (13038)
8-1	99000-10105-01Y PAINT (500g)		1	
8-2	99000-10205-02M PAINT (500g)		1	
9-1	99000-10109-01Y PAINT (90g)		1	
9-2	99000-10209-02M PAINT (90g)		1	